

INSTALLATION INSTRUCTIONS AND PARTS LIST

VEHICLE APPLICATION:

MODEL 250230 (12" X 20") FRONT OR REAR MUDGUARDS
MODEL 250233 (12" X 23") FRONT OR REAR MUDGUARDS
2002 AND NEWER DODGE RAM SERIES SINGLE WHEEL TRUCKS

1. READ INSTRUCTIONS COMPLETELY AND CHECK TO MAKE SURE THAT ALL REQUIRED PARTS (LISTED ON SERVICE PARTS LIST) ARE ON HAND BEFORE STARTING THE INSTALLATION.

MOUNTING 250230 OR 250233 MUDGUARDS ON THE FRONT: (SEE SHEET #2)

2. INSTALL THE MUDGUARDS AS FOLLOWS:
 - 2.1. ON REAR APPLICATIONS, ATTACH THE MOUNTING BRACKETS (ITEM #5 & #6) TO THE MUDGUARDS AS SHOWN. USE ¼" X 1" BUTTON HEAD SCREW (ITEM #7) ¼" FLAT WASHER (ITEM #9), AND ¼-20 SERRATED FLANGE NUTS (ITEM #8).
 - 2.2. REMOVE THE FACTORY WHEEL WELL LINER RETAINER SCREW FROM THE FLANGE OF THE WHEEL WELL. (THIS FASTENER IS NOT REUSED). CLAMPING THE LINER TO THE WHEEL WELL FLANGE TO KEEP THE HOLES IN LINE MAY BE HELPFUL.
 - 2.3. POSITION THE MUDGUARD AGAINST THE WHEEL WELL FLANGE AND INSTALL A M4.8 X 25mm HEX HEAD SCREW (ITEM #9) THRU THE FORTH HOLE DOWN FROM THE TOP IN THE MUDGUARD AND INTO THE FACTORY FASTENER. (LEAVE THIS FASTENER FINGER TIGHT).
 - 2.4. MOVE THE MUDGUARD IN OR OUT AS DESIRED, LEVEL THE MUDGUARD (IT SHOULD BE ABOUT STRAIGHT WITH THE FRONT TIRE AND/OR MATCH THE REAR MUDGUARD) AND THEN TIGHTEN THE FACTORY FASTENER.
 - 2.5. USING THE TOP AND THIRD HOLE DOWN FROM THE TOP IN THE MUDGUARD AS PILOTS, DRILL 3/16" DIA. HOLES THRU THE CENTER OF THE WHEEL WELL FLANGE AND FASTEN WITH ¼" X 1" STAINLESS STEEL HEX WASHER HEAD THREAD FORMING SCREWS (ITEM #5).
 - 2.6. USING THE HOLE ON THE TOP INBOARD EDGE OF THE MUDGUARD AS A PILOT, DRILL A 3/16" DIA HOLE THRU THE URETHANE WHEEL WELL LINER AND FASTEN WITH #10-24 X 1.00" TRUSS HEAD SCREWS (ITEM #6), #10 FLAT WASHERS (ITEM #8) AND #10 SERRATED FLANGE NUTS (ITEM #7).

MOUNTING 250230 OR 250233 MUDGUARDS ON THE REAR: (SEE SHEET #3)

3. INSTALL THE MUDGUARDS AS FOLLOWS:
 - 3.1. REMOVE TWO FACTORY WHEEL WELL LINER RETAINER SCREWS FROM THE FLANGE OF THE WHEEL WELL. (THESE FASTENERS ARE NOT REUSED). CLAMPING THE LINER TO THE WHEEL WELL FLANGE TO KEEP THE HOLES IN LINE MAY BE HELPFUL.
 - 3.2. REMOVE THE HEX HEAD FACTORY FENDER BRACE BOLT FROM THE BOTTOM OF THE BOX ROCKER PANEL. (THIS FASTENER IS REUSED).
 - 3.3. POSITION THE MUDGUARD AGAINST THE WHEEL WELL FLANGE AND INSTALL M4.8 X 25mm HEX HEAD SCREWS (ITEM #9) THRU THE SECOND & FIFTH HOLES DOWN FROM THE TOP IN THE MUDGUARD AND INTO THE FACTORY FASTENERS. (LEAVE THESE FASTENERS FINGER TIGHT).
 - 3.4. REINSTALL THE FACTORY FENDER BRACE BOLT UP THRU THE HOLE IN THE MOUNTING BRACKET AS SHOWN. (LEAVE THIS FASTENER FINGER TIGHT).
 - 3.5. MOVE THE MUDGUARD IN OR OUT AS DESIRED, LEVEL THE MUDGUARD (IT SHOULD BE ABOUT STRAIGHT WITH THE REAR TIRE AND/OR MATCH THE FRONT MUDGUARD) AND THEN TIGHTEN ALL FASTENERS.



(A LIVERNE Company)

1200 E. Birch St.

Brandon, SD 57005

550179 SHEET 1 30JUN08

SERVICE PARTS LIST

2002 DODGE RAM
MODEL NO. - 250230 & 250233

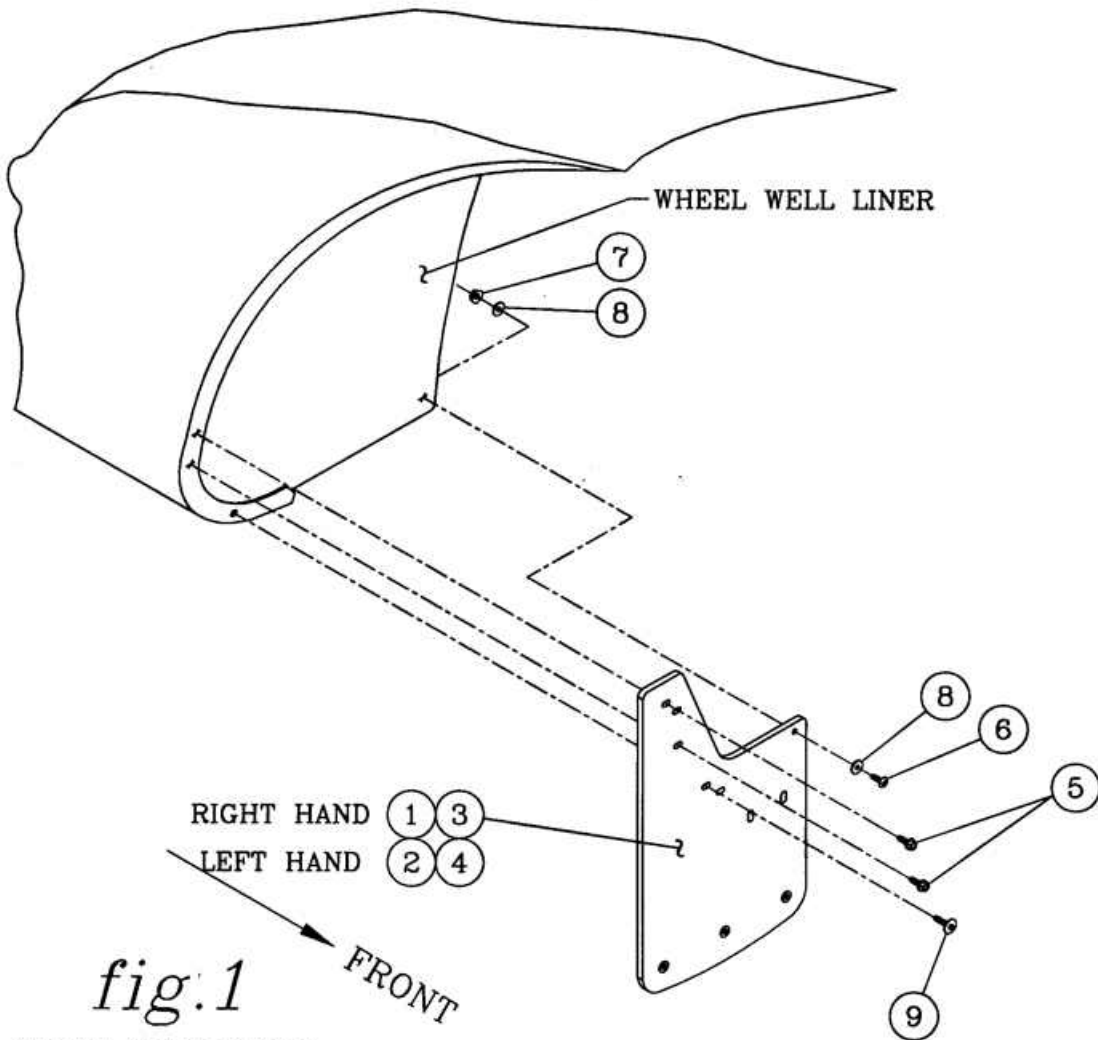


fig.1

FRONT INSTALLATION
RIGHT (PASSENGER) SIDE SHOWN

ITEM	PART NO.	QTY	DESCRIPTION
1	550175	1	MUDGUARD-RUBBER,12 X 20,DODGE RAM,RH
2	550176	1	MUDGUARD-RUBBER,12 X 20,DODGE RAM,LH
3	550177	1	MUDGUARD-RUBBER,12 X 23,DODGE RAM,RH
4	550178	1	MUDGUARD-RUBBER,12 X 23,DODGE RAM,LH
5	108449	4	SCREW- TF, AB, SST, 1/4 X 1.0
6	105516	2	SCR- TRUSS HD, XREC, SST, #10-24 X 1.00"
7	104261	2	NUT- HEX, SERR FLG, SST, #10-24
8	105511	4	WASHER- FLAT, SST, .203 X .625 X .062
9	106638	2	SCREW-HEX HD,TYPE B,M4.8 X 25mm,BLK PL

LIVERNE
TRUCK EQUIPMENT

(A LIVERNE Company)

1200 E. Birch St.

Brandon, SD 57005

550179 SHEET 2 30JUN08

SERVICE PARTS LIST

2002 DODGE RAM
MODEL: 250230 & 250233

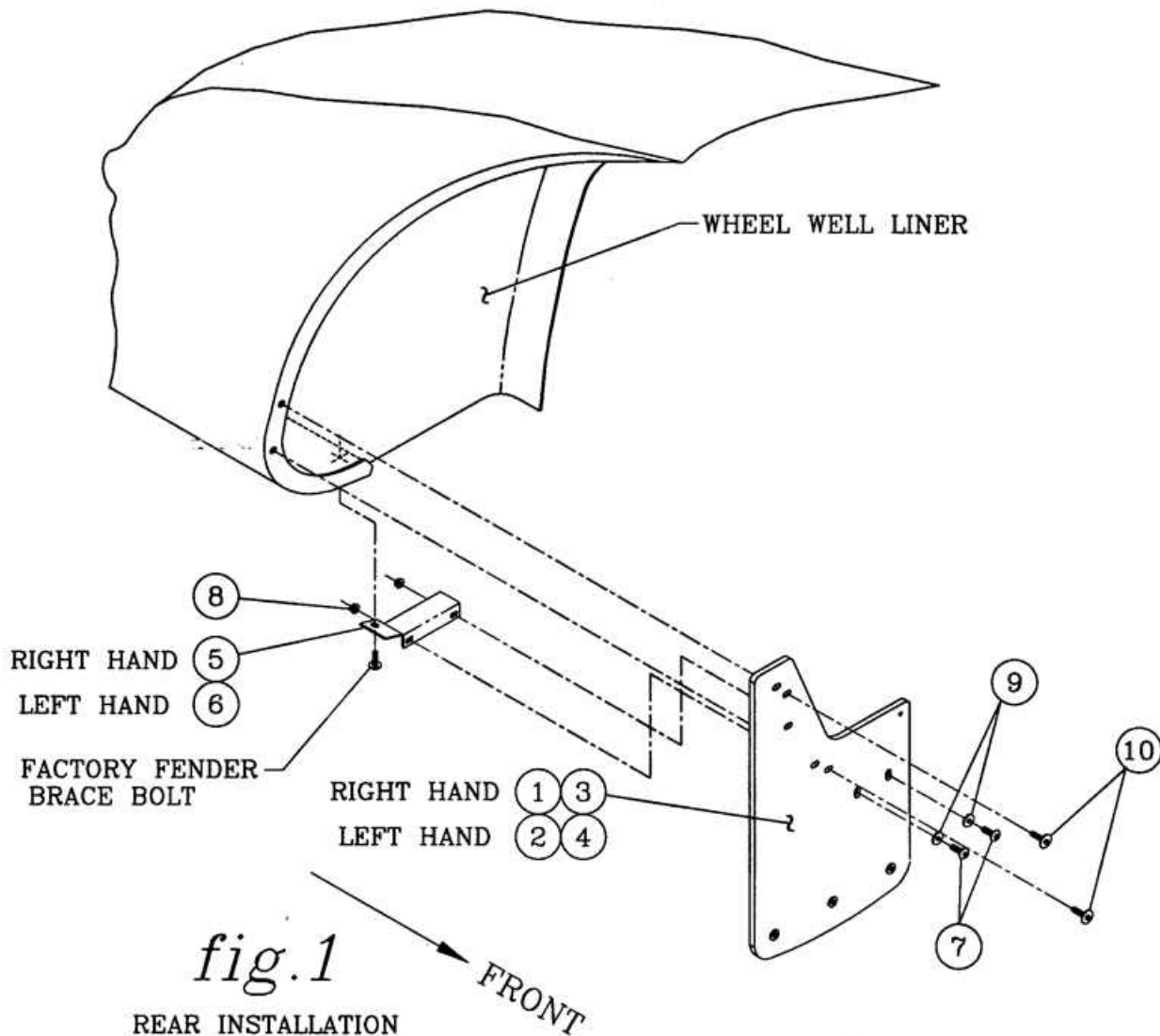


fig.1

REAR INSTALLATION
RIGHT (PASSENGER) SIDE SHOWN

ITEM	PART NO.	QTY	DESCRIPTION
1	550175	1	MUDGUARD-RUBBER,12 X 20,DODGE RAM,RH
2	550176	1	MUDGUARD-RUBBER,12 X 20,DODGE RAM,LH
3	550177	1	MUDGUARD-RUBBER,12 X 23,DODGE RAM,RH
4	550178	1	MUDGUARD-RUBBER,12 X 23,DODGE RAM,LH
5	550998	1	BRACKET -MTG,SPL GD,RH
6	550999	1	BRACKET -MTG,SPL GD,LH
7	105543	4	SCREW- BTN HD SOC, SST, 1/4-20 X 1.0"
8	102366	4	NUT-HEX,SERRATED FLG,SST,1/4-20
9	101370	4	WASHER- FLAT, SST, .281 X .625 X .065
10	106638	4	SCREW-HEX HD,TYPE B,M4.8 X 25mm,BLK PL

LIVERNE
TRUCK EQUIPMENT

(A LIVERNE Company)

1200 E. Birch St.

Brandon, SD 57005

550179 SHEET 3 30JUN08