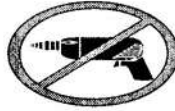


INSTALLATION INSTRUCTIONS AND PARTS LIST

VEHICLE APPLICATION: MODEL 570716 MEGA STEPS ON:
2007 AND NEWER GM TAHOE & YUKON SUV'S WITH FACTORY SIDE STEPS



1. **NOTE: THIS APPLICATION USES EXISTING FACTORY RUNNING BOARD MOUNTING BRACKETS FOR MOUNTING THE MEGA STEPS.**
2. READ INSTRUCTIONS COMPLETELY AND CHECK TO MAKE SURE THAT ALL REQUIRED PARTS (LISTED ON SERVICE PARTS LIST) ARE ON HAND BEFORE STARTING THE INSTALLATION.
3. REMOVE THE FACTORY RUNNING BOARD STEP PLATE FROM THE VEHICLE BRACKETS.
 - 3.1. REMOVE FOUR METRIC SEMS SCREWS (10mm SOCKET) FROM THE OUTBOARD END OF THE FACTORY BRACKET ON THE UNDER SIDE OF THE STEP. THESE SCREWS FASTEN THE FACTORY STEP TO THE FACTORY BRACKETS.
 - 3.2. REMOVE FIVE METRIC SEMS SCREWS (13mm SOCKET) FROM THE INBOARD EDGE OF THE FACTORY STEP PLATE ON THE UNDER SIDE OF THE STEP. FOUR OF THESE SCREWS FASTEN THE STEP PLATE AND FACTORY BRACKETS TO THE ROCKER PANEL PINCH WELD AND ONE AT THE FRONT FASTENS THE STEP TO THE FENDER AND ROCKER PANEL.
 - 3.3. LOOSEN FOUR METRIC SEMS SCREWS (13mm SOCKET) ON THE INBOARD VERTICAL WALL OF THE ROCKER PANEL THAT FASTENS THE TOP OF THE RUNNING BOARD BRACKET. THESE NEED TO BE LOOSED JUST A COUPLE TURNS TO ALLOW THE BRACKET TO SLIDE DOWN ON THE BRACKET SLOT. THIS WILL ALLOW THE FACTORY STEP PLATE TO BE SLID OUTWARD OFF OF THE MOUNTING BRACKETS.
 - 3.4. SLIDE THE FACTORY STEP PLATE OFF OF THE MOUNTING BRACKETS.
4. ATTACH THE MEGA STEPS (ITEM #1) TO THE MOUNTING BRACKETS.
 - 4.1. REINSTALL THE SEMS SCREW AT THE FRONT OF THE ROCKER PANEL THAT HOLDS THE BOTTOM OF THE FENDER TO THE ROCKER PANEL.
 - 4.2. INSERT A NYLON WASHER (ITEM #2) BETWEEN THE TOP OF THE FACTORY MOUNTING BRACKET AND THE BOTTOM OF THE ROCKER PANEL AND REINSTALL THE FACTORY SEMS SCREW AS SHOWN. THIS IS DONE ON EACH MOUNTING BRACKET.
 - 4.3. PREPARE THE MEGA STEP PLATE FOR MOUNTING AS FOLLOWS. SLIDE FOUR EXISTING BOLTS ON THE UNDERSIDE OF THE MEGA STEP TO WITHIN FOUR INCHES OF THE END OF THE SLOT. SLIDE TWO SCREWS EACH WAY AND THEN INSTALL AND TIGHTEN A NUT (ITEM #4) ON EACH OF THESE SCREWS TO 19 LB FT. INSERT FOUR (4) 5/16" SQUARE HEAD SCREWS (ITEM #3) IN THE CENTER SLOT ON THE UNDER SIDE OF THE STEP.
 - 4.4. POSITION THE MEGA STEP ON THE FACTORY MOUNTING BRACKETS SO THAT THE SQUARE HEAD SCREWS ARE LOCATED IN THE SLOTS OF THE MOUNTING BRACKETS AND THE STEP IS CENTERED, FRONT TO REAR, ON THE VEHICLE. INSTALL 5/16" SERRATED FLANGE NUTS (ITEM #4) ON THE SQUARE HEAD SCREWS AND TIGHTEN TO 19 LB FT.

SERVICE PARTS LIST

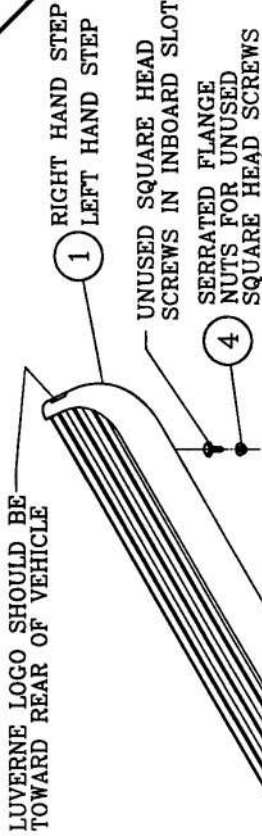
ITEM	PART NO.	QTY	DESCRIPTION
1	575078	1	STEP ASSY- 78.00" (MOD. 575078)
2	107182	8	WASHER- SPCR, NYLON, BLK, .312 ID X 1.24 OD X .25 THK
3	106880	8	SCREW-SQUARE HEAD, 5/16 18 UNC X 1.00"
4	102680	16	NUT-SERRATED FLANGE, HEX, SST, 5/16-18 UNC

LIVERNE
ISO9001:QS9000 CERTIFIED TRUCK
EQUIPMENT
1200 Birch Street
Brandon, SD 57005
INC.

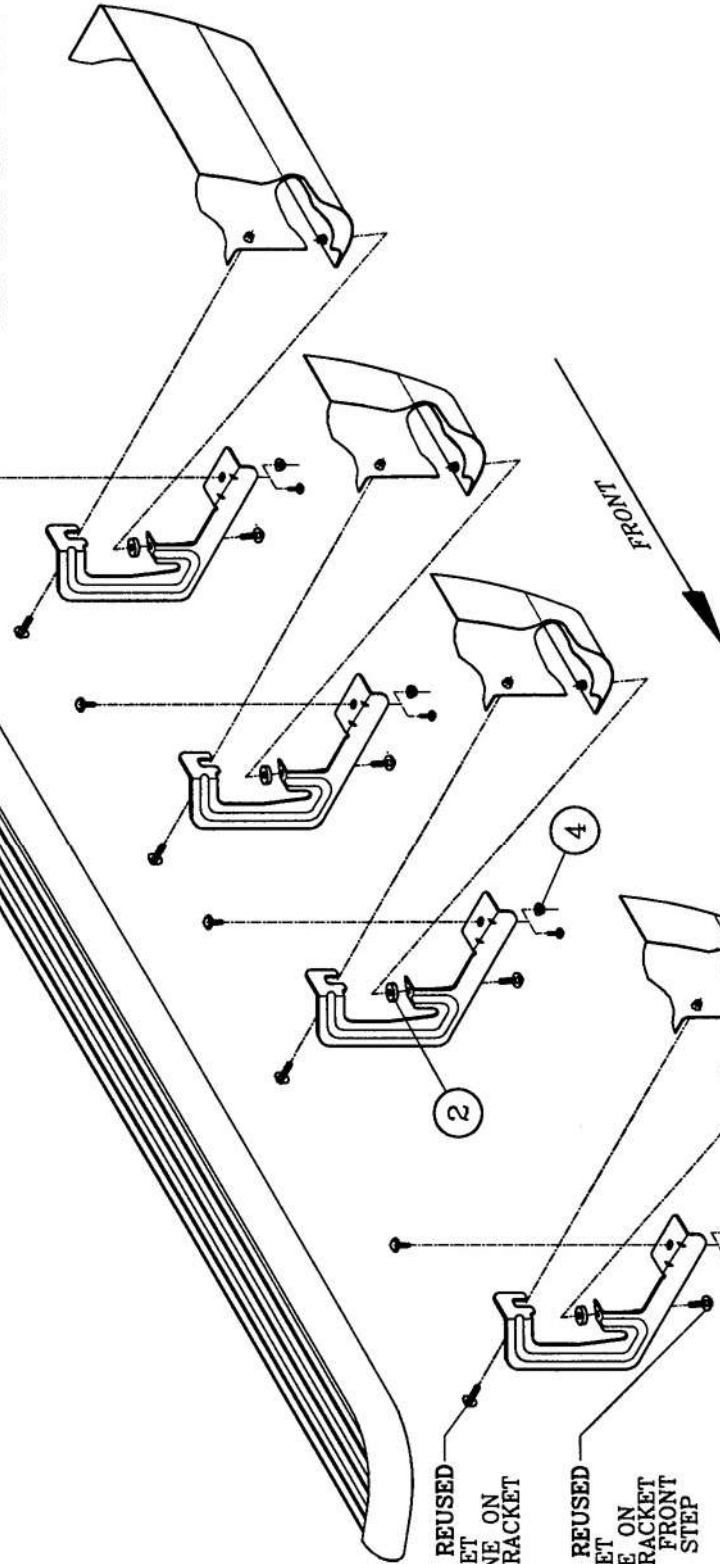
551613 SHEET 1 08FEB06

SERVICE PARTS LIST

MODEL NO. -570716



3 SQUARE HEAD SCREWS MUST BE INSTALLED IN CENTER SLOT FROM END OF STEP



LEFT (DRIVER) SIDE SHOWN
-RIGHT (PASSENGER) SIDE OPPOSITE-

LUVERNE TRUCK EQUIPMENT INC.
1200 Birch Street
Brandon, SD 57005