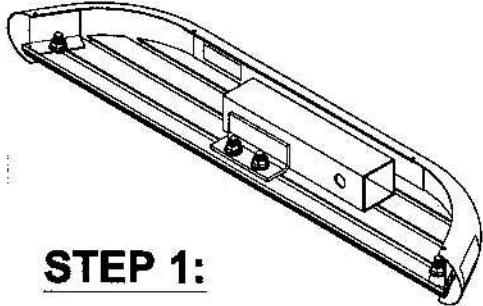
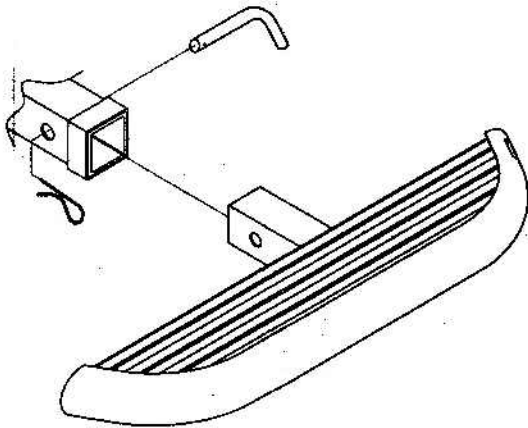


# 575026 MEGA STEP HITCH RECEIVER INSTALLATION INSTRUCTIONS



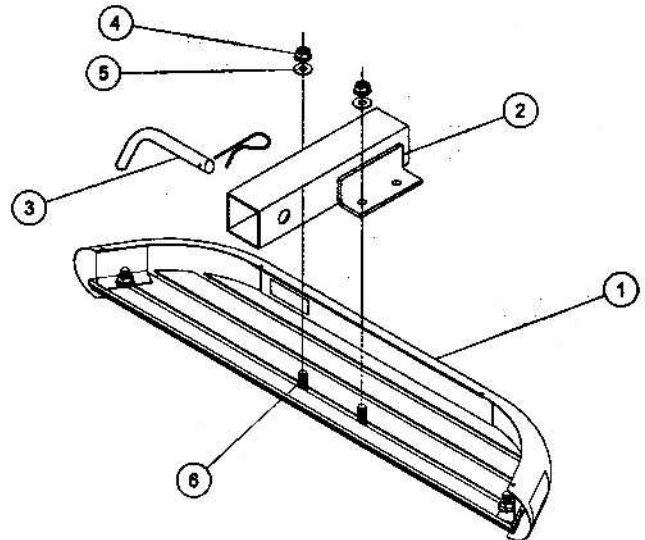
## STEP 1:

Remove the step from the carton and loosen the nuts from the step.



## STEP 3:

Place the step into the vehicles receiver and insert hitch pin.



## STEP 2:

Rotate item #2, center it on board, and tighten down.

ITEM	PART NO.	QTY	DESCRIPTION
1	551680	1	MEGA STEP, 26"
2	551677	1	WLDMT-RECEIVER TUBE, MEGA
3	102187	1	PIN-PULL BENT, 5/8"
4	102680	2	NUT-SERR FLG, 5/16-18, SST
5	102734	2	WSHER-FLAT, 5/16, SST
6	106880	2	SCR-SQ HD, 5/16-18X1", MAG