

INSTALLATION INSTRUCTIONS AND PARTS LIST

FOR MOUNTING 45/460756 AND 45/460755 NERF BARS ON:
2007 AND NEWER JEEP WRANGLER 2 DOOR/4 DOOR



NO DRILL INSTALLATION

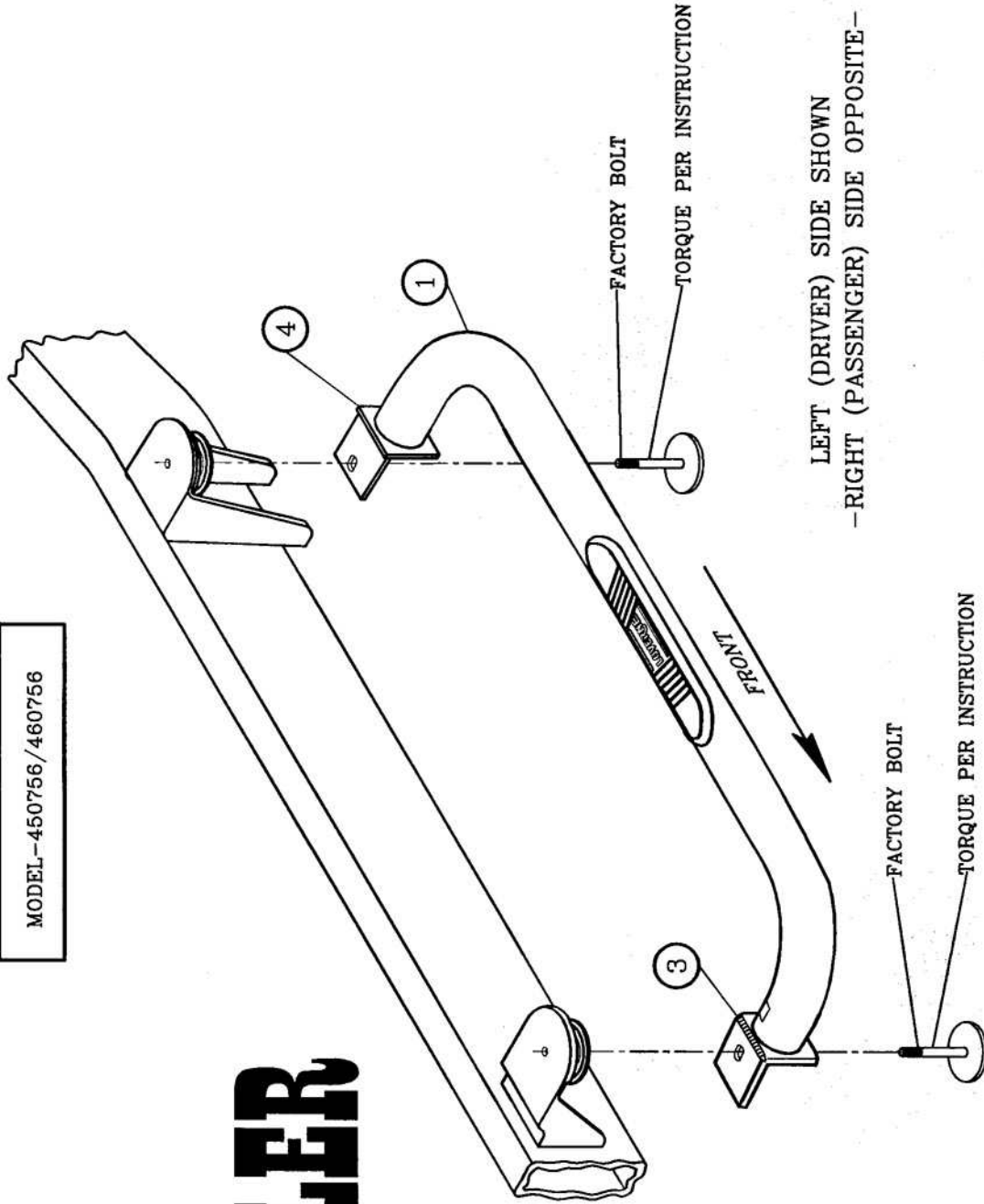
1. READ INSTRUCTIONS COMPLETELY AND CHECK TO MAKE SURE THAT ALL REQUIRED PARTS (LISTED ON SERVICE PARTS LIST) ARE ON HAND BEFORE STARTING THE INSTALLATION.
2. NERF BAR TUBE AND MOUNTING BRACKET ASSEMBLIES ARE PREASSEMBLED. OBOUNDED HOLES SHOULD BE AT THE TOP.
3. REMOVE THE BODY MOUNT BOLTS (2 PER SIDE). LOOSEN THE BOLTS THAT HOLD THE BRACKETS TO THE NERF BAR JUST ENOUGH TO SLIDE THE BRACKETS FREELY ON THE NERF BAR.
4. STARTING FROM ONE END PUT THE FACTORY BOLTS THROUGH THE MOUNTING BRACKET BACK UP INTO THE BODY MOUNT. TIGHTEN FINGER TIGHT. DOING THE SAME TO OTHER END OF THE NERF BAR.
5. ADJUST THE NERF BAR IN OR OUT SO THAT THE SPACE BETWEEN THE VEHICLE AND THE INSIDE OF THE NERF BAR ARE THE SAME FRONT AND BACK. TORQUE ALL BOLTS (4 PER SIDE) TO 65 LB.FT.

ITEM #	PART #	QTY	DESCRIPTION
1	550460	2	NERF BAR- LH/RH SST-2DOOR
1	550461	2	NERF BAR- LH/RH BLK-2DOOR
1	550457	1	NERF BAR-LH SST-4 DOOR
1	550458	1	NERF BAR-LH BLK-4 DOOR
2	550455	1	NERF BAR- RH BLK-4 DOOR
2	550456	1	NERF BAR- RH SST-4 DOOR
3	550466	2	BRKT-MTG,WLDMT LH/RH,FRNT (2 DR & 4 DR)
4	550465	2	BRKT-MTG,WLDMT LH/RH,REAR (2DR)
5	550467	1	BRKT-MTG,WLDMT LH,REAR (4 DR)
6	550468	1	BRKT-MTG,WLDMT RH REAR (4 DR)

JEEP WRANGLER 2DOOR

SERVICE PARTS LIST

MODEL-450756/460756



JEEP WRANGLER 4DOOR

SERVICE PARTS LIST

MODEL-450755/460755

