

INSTALLATION INSTRUCTIONS AND PARTS LIST

FOR MOUNTING 450533 & 460533 NERF BARS ON:
2005 AND NEWER DODGE DAKOTA QUAD CAB PICKUPS



NO DRILL INSTALLATION

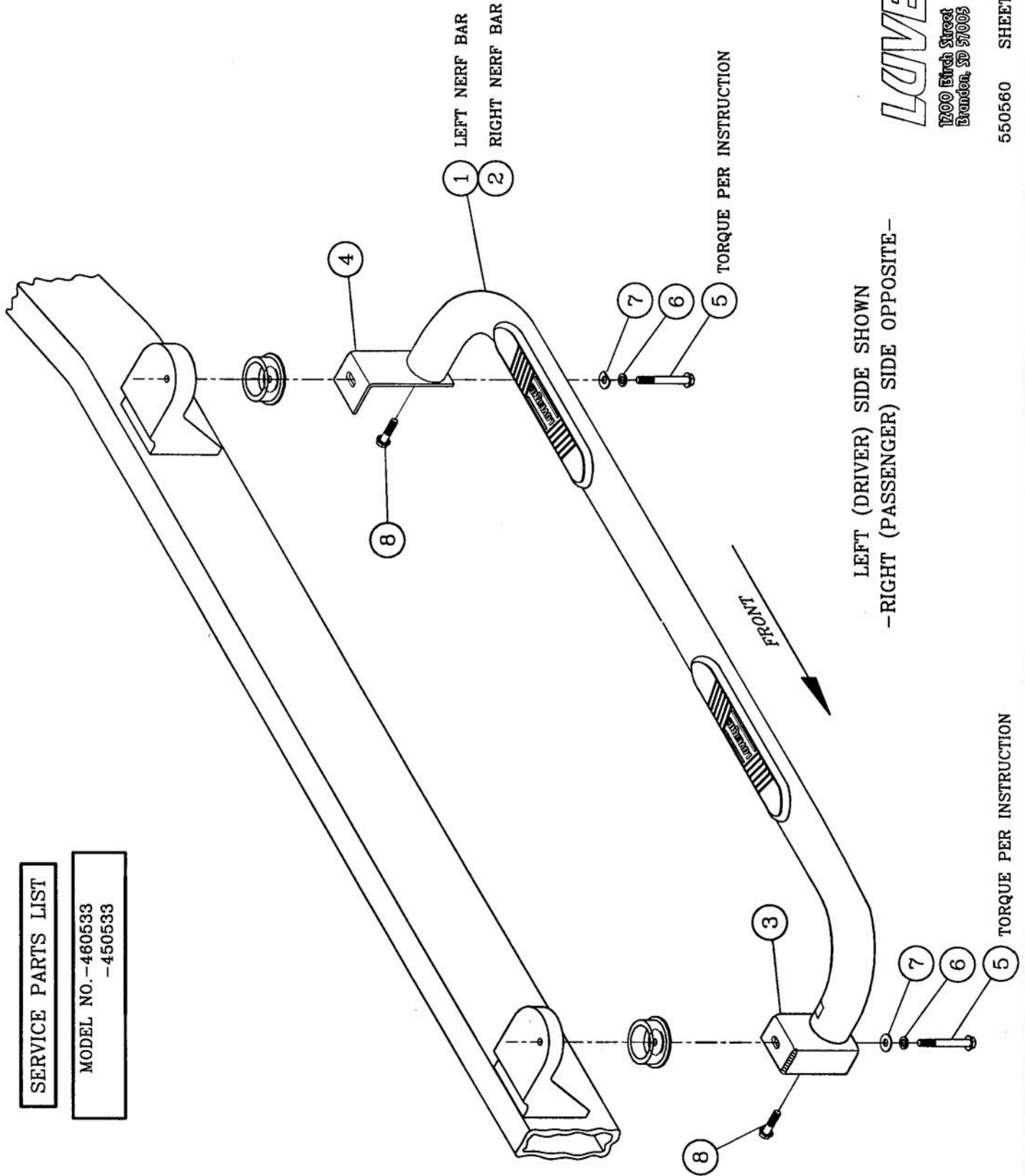
1. READ INSTRUCTIONS COMPLETELY AND CHECK TO MAKE SURE THAT ALL REQUIRED PARTS (LISTED ON SERVICE PARTS LIST) ARE ON HAND BEFORE STARTING THE INSTALLATION.
2. NERF BAR TUBE AND MOUNTING BRACKET ASSEMBLIES (ITEM #1 & #2) ARE PREASSEMBLED.
 - 2.1 THE REAR MOUNTING BRACKETS (ITEM #4) ON THESE ASSEMBLIES ARE ROTATED FOR SHIPPING PURPOSES. THESE BRACKETS MUST BE ROTATED TO THE VERTICAL POSITION, AND THE 1/2" BOLTS MUST BE TORQUED TO 65 LB. FT.
3. REMOVE THE FOUR (4) APPLICABLE BODY MOUNTING BOLTS FROM THE VEHICLE.
 - 3.1 THESE FOUR (4) BOLTS ARE NOT REUSED IN THIS INSTALLATION.
 - 3.2 THE BODY MOUNT STEEL WASHER PLATES WITH RUBBER CUSHIONS ARE REUSED BETWEEN THE BODY MOUNT AND THE NERF BAR MOUNTING BRACKET.
4. POSITION THE NERF BAR ASSEMBLY UP UNDER THE BODY MOUNTS.
 - 4.1 ON THE FOUR BODY MOUNTS, INSTALL A M12-1.75 X 100mm (APPROX. 4.00" LONG) HEX HEAD BOLT, 1/2" LOCK WASHER, AND 1/2" FLAT WASHER (ITEM #5, #6, #7) UP THRU THE HOLE IN THE NERF BAR MOUNTING BRACKET AND THE BODY MOUNTING WASHER PLATE AND CUSHION AS SHOWN.

NOTE: TORQUE ALL M12-1.75 BODY MOUNTING BOLTS TO 45 LB. FT.

ITEM #	PART #	QTY	DESCRIPTION
1	549038	1	NERF BAR WLDMT- LH,SST,460533
2	549039	1	NERF BAR WLDMT- RH,SST,460533
1	549046	1	NERF BAR WLDMT- LH,STL,BLK,450533
2	549047	1	NERF BAR WLDMT- RH,STL,BLK,450533
3	550561	2	BRKT-MTG, NB, DD, QUAD CAB, FRONT
4	549019	2	BRKT-MTG, NB, DURANGO, REAR
5	102949	4	BOLT-12M X 1.75 X 100mm
6	100121	4	WASHER- LK, 1/2", ZP
7	100118	4	WASHER- FLAT, 1/2", ZP
8	104249	4	HHCS,SERR FLANGE 1/2-13 X 2.00, ZP

SERVICE PARTS LIST

MODEL NO. -460533
-450533



LEFT (DRIVER) SIDE SHOWN
-RIGHT (PASSENGER) SIDE OPPOSITE-

LAVERNE TRUCK EQUIPMENT INC.
1700 Birch Street
Brandon, SD 57005