

INSTALLATION INSTRUCTIONS AND PARTS LIST

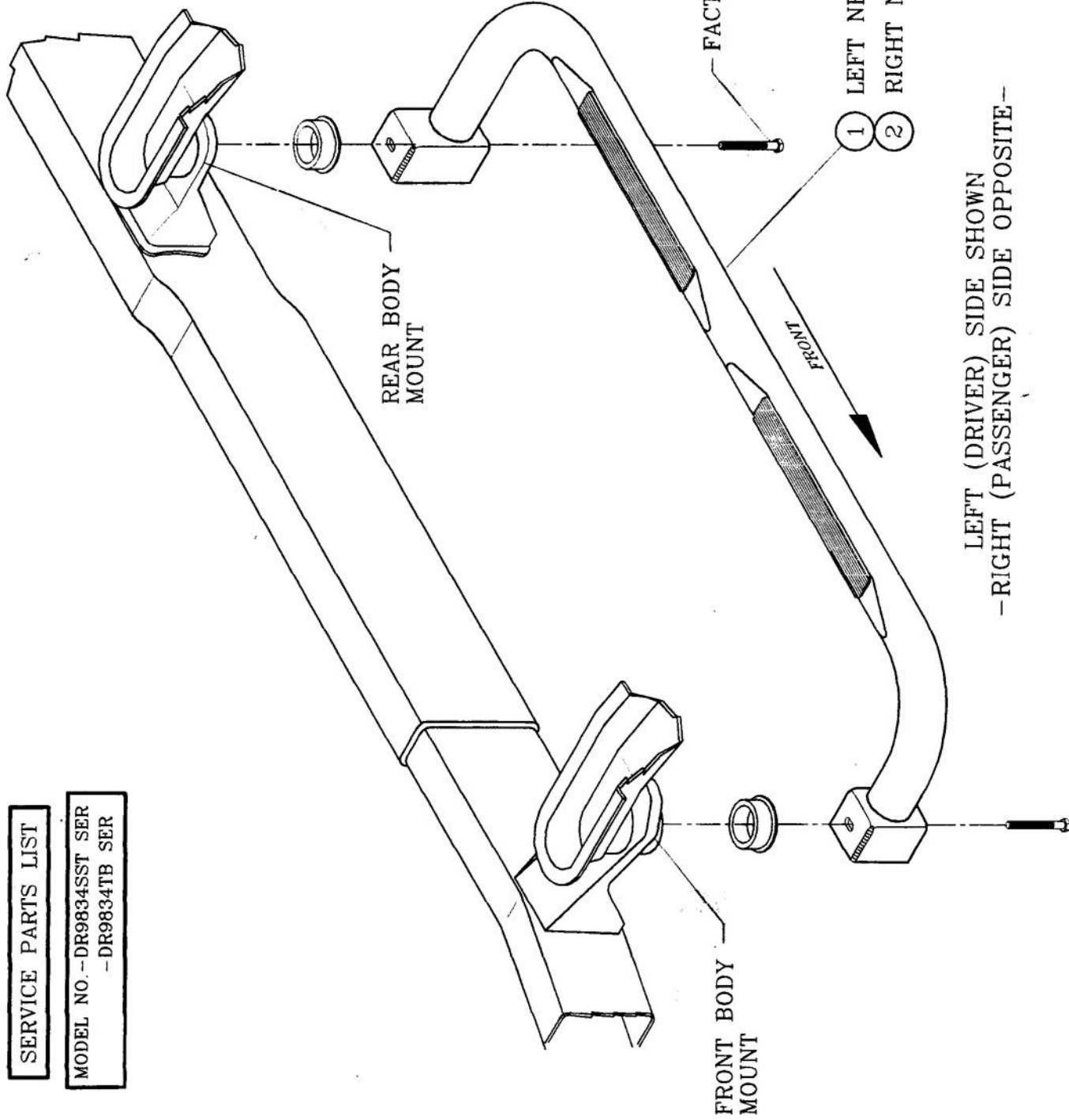
FOR MOUNTING DR9834SST & DR9834TB SERIES NERF BARS ON:  
1998 AND NEWER DODGE DURANGO SPORT UTILITY VEHICLES

1. READ INSTRUCTIONS COMPLETELY AND CHECK TO MAKE SURE THAT ALL REQUIRED PARTS (LISTED ON SERVICE PARTS LIST) ARE ON HAND BEFORE STARTING THE INSTALLATION.
2. NERF BAR TUBES AND MOUNTING BRACKETS (ITEM #1 & 2) ARE PRE-ASSEMBLED TO MATCH THE VEHICLE BODY MOUNTING LOCATIONS. IF ANY ADDITIONAL ADJUSTMENT SHOULD BE REQUIRED, THIS CAN BE ACCOMPLISHED BY LOOSENING THE PRE-TORQUED 1/2 IN. HEX HEAD BOLT THAT RETAINS THE MOUNTING BRACKET TO THE NERF BAR.
  - 2.1 IF THE PRE-TORQUE ON THIS 1/2 IN. BOLT IS BROKEN, THE BOLT MUST BE RE-TORQUED TO 65 LB. FT.
3. REMOVE THE FOUR (4) APPLICABLE BODY MOUNTING BOLTS FROM THE VEHICLE. (THESE ARE M12-1.75 METRIC BOLTS THAT REQUIRE A 19MM WRENCH FOR REMOVAL).
  - 3.1 THESE FOUR (4) BOLTS ARE REUSED IN THIS INSTALLATION.
  - 3.2 THE BODY MOUNTING RUBBER CUSHIONS ARE REUSED BETWEEN THE BODY MOUNT AND THE NERF BAR MOUNTING BRACKET.
4. POSITION THE NERF BAR ASSEMBLY UP UNDER THE BODY MOUNTS. REINSTALL THE M12-1.75 FACTORY HEX HEAD BOLTS (REMOVED IN INSTRUCTION #3) UP THRU THE HOLE IN THE MOUNTING BRACKET AND THE BODY MOUNTING RUBBER CUSHION AS SHOWN. TORQUE THE M12-1.75 HEX BOLTS TO 65 LB. FT.

ITEM	PART NO.	QTY	DESCRIPTION
1	549053	1	NERF BAR/BRKT ASSY- LH, SST, DR9834SST
2	549054	1	NERF BAR/BRKT ASSY- RH, SST, DR9834SST
1	549063	1	NERF BAR/BRKT ASSY- LH, BLK, DR9834TB
2	549064	1	NERF BAR/BRKT ASSY- RH, BLK, DR9834TB

SERVICE PARTS LIST

MODEL NO. - DR9834SST SER  
- DR9834TB SER



LEFT (DRIVER) SIDE SHOWN  
-RIGHT (PASSENGER) SIDE OPPOSITE--