

INSTALLATION INSTRUCTIONS AND PARTS LIST

FOR MOUNTING FE9524 SST & TB SERIES NERF BARS ON: 1995 AND NEWER FORD EXPLORER 4 DOOR SPORT UTILITIES

1. READ INSTRUCTIONS COMPLETELY AND CHECK TO MAKE SURE THAT ALL REQUIRED PARTS (LISTED ON SERVICE PARTS LIST) ARE ON HAND BEFORE STARTING THE INSTALLATION.
2. NERF BAR TUBE AND MOUNTING BRACKET ASSEMBLIES (ITEM #1 & #2) ARE PREASSEMBLED.
 - 2.1 REAR BRACKETS WILL NEED TO BE ROTATED 90 DEGREES UP & TORQUED TO 65 LB. FT.
- 3A. (4X4 & 4X2) FOR EASIER INSTALLATION, SLIDE THE FRONT BRACKET OVER THE BODY MOUNT.
 - 3A.1 POSITION THE REAR BRACKET UP TO MATCH THE TWO SLOTTED HOLES ON THE FRAME.
 - 3A.2 PUT T-BOLT (ITEM #4) INTO PLACE.
 - 3A.3 INSTALL THE 1/2-13 SERR-FLANGE NUTS (ITEM #5). HAND TIGHTEN.
- 3B. (ALL WHEEL DRIVE) REMOVE FACTORY FLANGE NUTS.
 - 3B.1 FOR EASIER INSTALLATION, SLIDE THE FRONT BRACKET OVER THE BODY MOUNT.
 - 3B.2 POSITION TWO SLOTTED HOLES ON REAR BRACKET OVER FACTORY BOLTS.
 - 3B.3 RE-INSTALL THE FACTORY FLANGE NUTS. HAND TIGHTEN.
4. SLIDE SPACER (ITEM #8) BETWEEN BOTTOM OF FRONT BODY MOUNT & FRONT BRACKET.
 - 4.1 INSERT 3/8" FLAT WASHERS & 3/8-16 BOLTS (ITEMS #3 & #7) FROM TOP SIDE.
 - 4.2 INSTALL THE 3/8-16 SERR-FLANGE NUTS (ITEM #6). HAND TIGHTEN.

TORQUE ALL 1/2-13 BOLTS TO 65 LB. FT.

TORQUE ALL 3/8-16 BOLTS TO 30 LB. FT.

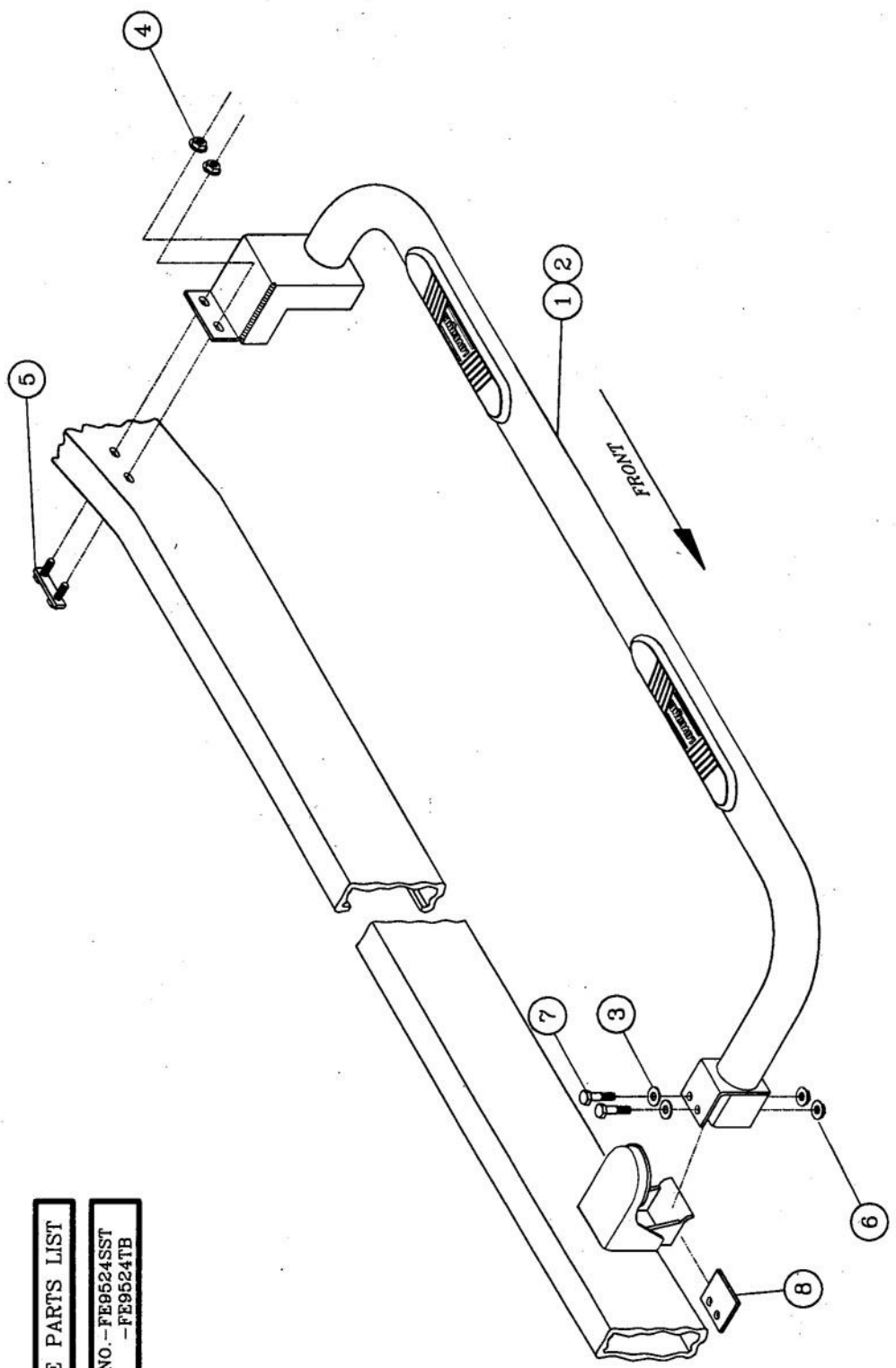
ITEM #	PART #	QTY	DESCRIPTION
1	550490	1	NERF BAR/BRKT ASSY- LH, SST, FE9524SST
2	550489	1	NERF BAR/BRKT ASSY- RH, SST, FE9524SST
1	550498	1	NERF BAR/BRKT ASSY- LH, STL, BLK, FE9524TB
2	550497	1	NERF BAR/BRKT ASSY- RH, STL, BLK, FE9524TB
3	100062	4	WASHER- FLAT, 3/8", ZP
4	550472	2	T-BOLT, ZP
5	100123	4	NUT- SERR FLG, HEX, 1/2-13, ZP
6	100181	4	NUT- SERR FLG, HEX, 3/8-16, ZP
7	103713	4	SCREW- HEX HD CAP, 3/8-16 X 1-3/4, ZP
8	550493	2	SPACER

LUIVERNE
TRUCK
EQUIPMENT
INC.
1200 Birch Street

REV C 29JAN01
REV B 01JUN00
REV A 30MAY00
550492 SHEET 1 07APR00

SERVICE PARTS LIST

MODEL NO. - FE9524SST
- FE9524TB



REV C 29JAN01
REV B 01JUN00
REV A 30MAY00
550492 SHEET 2 07APR00

LOVERNE
TRUCK
EQUIPMENT
INC.
1200 Birch Street