

INSTALLATION INSTRUCTIONS AND PARTS LIST

MODEL 590200 CAB GUARD, BLACK

UNIVERSAL FOR FULL SIZE PICKUP TRUCKS

2002+ DODGE RAM

1999+ GM TRUCKS

1999+ SUPER DUTY

2004+ F-150 (WITH STAKE POCKETS)

2007+ TOYOTA TUNDRA

PLEASE READ INSTRUCTIONS BEFORE INSTALLING

REQUIRES (2) PEOPLE FOR MOUNTING

1. ASSEMBLE THE BRACKETS TO CAB GUARD RING, BY USING (4) 7/16 X 3" CARRIAGE BOLTS (ITEM #11) (4) WASHERS (ITEM #7) & (4) NUTS (ITEM #6). LEAVE LOOSE FOR ADJUSTMENT TO VEHICLE. BRACKETS DO FIT SNUG.
2. SLIDE THE U-NUT (ITEM #8) ON THE STAKE POCKET BRACKET (ITEM #9) PLACE SOCKET HEAD SCREW (ITEM#4) & WASHER (ITEM#10) THROUGH THE MOUNTING BRACKETS OBROUND HOLE AND SCREW ON THE STAKE POCKET BRACKET AND U-NUT., LEAVE IT SO THAT THE BRACKET IS AT BOTTOM OF SCREW.
3. WITH A SECOND PERSON, LIFT THE ASSEMBLED CAB GUARD ONTO THE FRONT OF THE VEHICLES BOX, TIP FORWARD OR BACKWARD SO THAT THE STAKE POCKET MOUNT DROPS INTO THE STAKE POCKET HOLE *.(SOME ADJUSTING MAY NEED TO BE DONE TO MAKE BRACKET DROP IN CORRECTLY).*
4. ADJUST THE CAB GUARD FROM SIDE TO SIDE AND FROM FRONT TO BACK FOR PROPER PLACEMENT. TIGHTEN UP 7/16 X 3" BOLTS ONCE PLACEMENT HAS BEEN ESTABLISHED.
5. WITH THE GUARD CENTERED ON THE TRUCK, AND SITTING ON THE FRONT LIP OF THE BOX, MARK A LOCATION FOR THE SECOND FASTENER ON EACH SIDE AT THE OPPOSITE END OF THE MOUNTING SLOT. (ON SOME TRUCKS THIS LOCATION MAY BE BACK FROM THE STAKE POCKET MOUNT). REMOVE THE CAB GUARD AND DRILL (2) 1/2" HOLES A THESE LOCATIONS.
6. REINSTALL THE CAB GUAR. TIGHTEN UP SOCKET HEAD SCREWS MAKING SURE THAT THE STAKE POCKET BRACKET CATCHES THE FRONT AND REAR LIPS OF HOLES. (SEE DIAGRAM).
7. WHEN BRACKETS ARE IN PROPER PLACEMENT AND TIGHTENED DOWN, PUT WASHER AND NUT (ITEMS# 10&17) ON "L" BOLT (ITEM# 5). TIP "L" BOLT AT AN ANGLE AND SLIDE INTO 1/2" HOLE AND TIGHTEN DOWN. (SEE DIAGRAM)
8. AFTER GUARD IS IN POSITION AND TIGHTENED DOWN YOU MAY LOOSEN AND ADJUST TOP LIGHT TUBE/LADDER RACK (ITEM#13) TO PROPER CAB HEIGHT TO FIT YOU VEHICLES APPLICATION. THE LIGHT TUBE/LADDER RACK CAN BE MOUNTED RIGHT SIDE UP OR UP SIDE DOWN DEPENDING ON YOUR CAB HEIGHT. THERE ARE 3" SLOTS ON EACH SIDE OF THE BRACKETS FOR FINER ADJUSTMENTS. MAKE SURE THAT THE BAR DOES NOT COVER THE UPPER BRAKE LIGHT.

LIVERNE
TRUCK EQUIPMENT

(A LIVERNE Company)

1200 E. Birch St.

Brandon, SD 57005

REV B 23JUL09

REV A 08JUL09

560488 SHEET 1 OF 3 11MAR09

SERVICE PARTS LIST

ITEM	PART #	QTY	DESCRIPTION
1	560493	1	RING WELDMENT
2	560486	1	RIGHT HAND BRACKET
3	560487	1	LEFT HAND BRACKET
4	104837	2	SCR-BTNHD,SKT,5/16-18 X 2 1/2 ,SST
5	108592	2	WELD-STUD, ("L BOLT") 5/16" X 1.375
6	103737	4	NUT-HEX FLG,7/16-14,ZP
7	100081	4	WASHER-FLT,7/16,ZP
8	105541	2	NUT-U,MUTI THD,LNG,5/16-18,BLK
9	560494	2	PLATE-NUT,GAL,590200
10	102734	4	WASHER-FL,TYPE A,SST,5/16
11	104945	4	BLT-CAR,7/16-14 X 3",ZP
12	108578	2	PLASTIC PLUG, 2" X 2"
13	560497	1	LIGHT-TUBE/LADDER RACK
14	101305	2	NUT-CAP,3/8-16,ZINC PLT
15	103013	2	SCR-HEX HD,3/8-16 X 2.75,ZINC PLT
16	100062	4	WASHER-3/8,ZINC PLT
17	100178	2	NUT-HEX FLG,5/16"-18



(A LIVERNE Company)

1200 E. Birch St.

Brandon, SD 57005

REV B 23JUL09

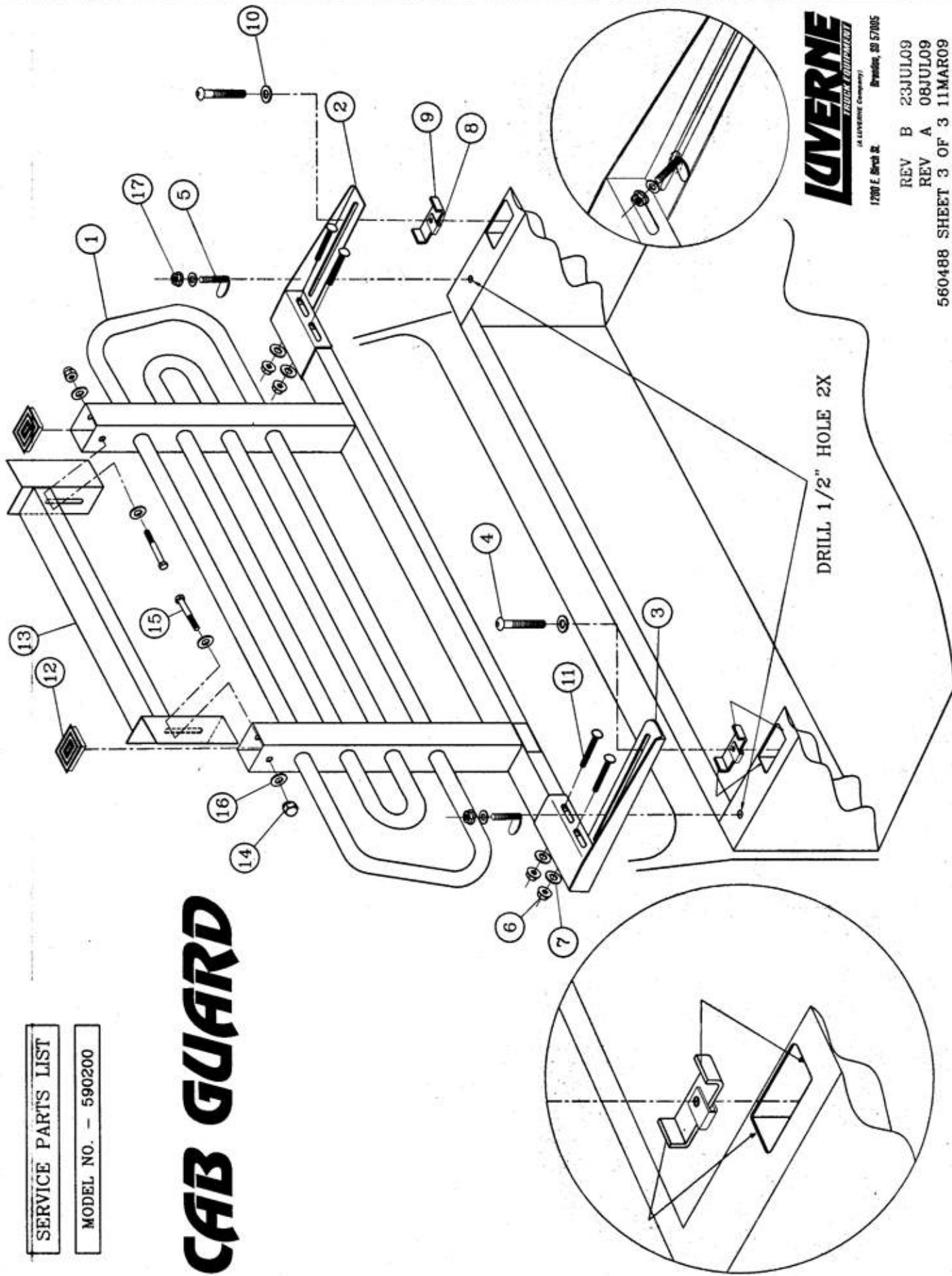
REV A 08JUL09

560488 SHEET 2 OF 3 11MAR09

SERVICE PARTS LIST

MODEL NO. - 590200

CAB GUARD



DRILL 1/2" HOLE 2X

LOVERNE
A LOVERNE Company
TRUCK EQUIPMENT

1700 E. Birch St.
Brevard, MO 67005

REV B 23JUL09
REV A 08JUL09
560488 SHEET 3 OF 3 11MAR09