



## INSTALLATION INSTRUCTIONS FOR MOUNTING

LUVERNE GRILLE GUARD WITH THE FOLLOWING MODEL NO.:  
330920/330923 & 340920/340923 ON:

2009 AND NEWER F-150 4WD & 2WD WITH TOW HOOKS SERIES TRUCKS

1. READ THE INSTRUCTIONS COMPLETELY AND CHECK TO MAKE SURE THAT ALL OF THE REQUIRED PARTS ARE ON HAND BEFORE STARTING THE INSTALLATION. THE CARTON SHOULD CONTAIN:
  - (1) OUTER RING PACKAGE
    - (1) OUTER RING ASSEMBLY
  - (1) UPRIGHT PACKAGE
    - (1) UPRIGHT ASSEMBLY, RH
    - (1) UPRIGHT ASSEMBLY, LH
    - (1) MOUNTING BRACKET, RH
    - (1) MOUNTING BRACKET, LH
    - (1) HARDWARE PACKAGE
    - (1) CUSTOMER SERVICE PACKAGE

### REFER TO SHEETS #1, #2, #3 & #4 FOR GUARD ASSEMBLY & INSTALLATION INSTRUCTIONS 2-9

2. **4WD VEHICLES OR 2WD VEHICLES WITH TOW HOOKS** – (NOTE: THE FASTENERS THAT COME WITH THE VEHICLE ARE LONG ENOUGH AND MAY BE USED TO MOUNT THE GRILLE GUARD BRACKETS TO THE FRAME OR YOU CAN USE THE FASTENERS INCLUDED WITH THE GRILLE GUARD.) LOOSEN AND REMOVE THE FRONT BOLT THAT SECURES THE TOW HOOK TO THE FRAME. LOOSEN THE REAR BOLT THAT SECURES THE TOW HOOK TO THE FRAME, ENOUGH SO THAT YOU CAN INSERT THE GRILLE GUARD MOUNTING BRACKET IN BETWEEN THE BOTTOM OF THE FRAME AND THE TOW HOOK. REINSTALL THE FRONT MOUNTING BOLT. FINGER TIGHTEN ONLY AT THIS TIME.
3. **2WD VEHICLES OR 4WD WITHOUT TOW HOOKS** – (NOTE: MOUNTING THIS GRILLE GUARD WILL REQUIRE THE USE OF A #202450 BRACKET KIT. THIS KIT REPLACES THE HARDWARE THAT IS PRESENT WHEN THE VEHICLE HAS TOW HOOKS. IT WILL ALSO BE NECESSARY TO CUT A HOLE IN THE LOWER AIR DAM FOR THE MOUNTING BRACKETS TO COME THROUGH.
4. INSTALL THE RIGHT HAND AND LEFT HAND MOUNTING BRACKETS (ITEM #4 & #5) USING TWO M12 X 1.75 X 55mm HEX HEAD BOLTS (ITEM #10), 7/16" FLAT WASHERS (ITEM #18), AND 1/2" LOCK WASHERS (ITEM #15) IN EACH BRACKET. AS SHOWN IN FIG. 1 & 2. HAND TIGHTEN ONLY AT THIS TIME.
5. INSTALL THE RIGHT HAND AND LEFT HAND UPRIGHTS (ITEM #2 & #3) ON THE MOUNTING BRACKETS USING TWO 1/2-13 X 3 ROUND HEAD BOLTS (ITEM #9), 1/2" SAE FLAT WASHERS (ITEM #17), AND 1/2" CAP NUTS (ITEM #13) IN EACH UPRIGHT, AS SHOWN IN FIG. 1 & 2. HAND TIGHTEN ONLY AT THIS TIME.

**LUVERNE**  
TRUCK EQUIPMENT

(A LUVERNE Company)

1200 E. Birch St.

Brandon, SD 57005

202442 SHEET 1 OF 4 13JUN08

6. INSTALL THE RING (ITEM #1) BY LOWERING IT DOWN FROM THE TOP AND BEHIND THE UPRIGHTS, (TAKING CARE NOT TO SCRAPE THE ENDS OF THE RING AGAINST THE SIDE OF THE VEHICLE.) AND SLIDE THE RING INTO THE NOTCHES OF THE UPRIGHTS. FASTEN WITH 7/16"-14 X 1-1/2" HEX BOLTS (ITEM #11), 7/16" FLAT WASHERS (ITEM #18) AND 7/16" LOCK WASHERS (ITEM #16) INTO THE 7/16"-14 CAPTIVE NUTS (ITEM #14) IN THE UPRIGHT MOUNTING PLATES.
7. CHECK THAT THE GRILLE GUARD IS CENTERED AND VERTICAL ON THE BUMPER AND THE UPRIGHTS ARE STRAIGHT UP AND DOWN. THEN TIGHTEN THE FOUR 7/16" BOLTS SECURING THE RING TO THE UPRIGHTS. TIGHTEN TO 54 FOOT-POUNDS OF TORQUE.
8. TIGHTEN THE FOUR 1/2" CAP NUTS (ITEM #13) SECURING THE UPRIGHTS TO THE GRILLE GUARD MOUNTING BRACKETS.
9. TIGHTEN THE FOUR BOLTS THAT SECURE THE MOUNTING BRACKETS TO THE FRAME. TIGHTEN TO 70 FOOT-POUNDS OF TORQUE.

### SERVICE PARTS LIST

| ITEM | PART NO. | QTY | DESCRIPTION                             |
|------|----------|-----|---|
| 1    | 202443   | 1   | RING WELDMENT - CHROME                  |
| 1    | 202449   | 1   | RING WELDMENT - BLACK                   |
| 2    | 202429   | 1   | UPRIGHT WELDMENT - CHROME, RH           |
| 2    | 202447   | 1   | UPRIGHT WELDMENT - BLACK, RH            |
| 3    | 202430   | 1   | UPRIGHT WELDMENT - CHROME, LH           |
| 3    | 202448   | 1   | UPRIGHT WELDMENT - BLACK, LH            |
| 4    | 202435   | 1   | MOUNTING BRACKET - RH                   |
| 5    | 202436   | 1   | MOUNTING BRACKET - LH                   |
| 6    | 202038   | 2   | TAPPING BAR - 11.500"                   |
| 7    | 201122   | 2   | TAPPING BAR - 13.000"                   |
| 8    | 202383   | 2   | RUBBER EXTRUSION - MACHINED, 330712     |
| 9    | 107231   | 4   | ROUND HEAD BOLT - 1/2"-13 X 3, SST      |
| 10   | 105107   | 4   | HEX HEAD SCREW - M12 X 1.75 X 55mm, ZP  |
| 11   | 100070   | 4   | HEX HEAD SCREW - 7/16"-14 X 1-1/2", ZP  |
| 12   | 103715   | 10  | SELF TAPPING SCREW - 1/4"-20 X 5/8", ZP |
| 13   | 104994   | 4   | HEX CAP NUT - 1/2"-13, SST              |
| 14   | 100083   | 4   | CAPTIVE NUT - 7/16"-14                  |
| 15   | 100121   | 4   | LOCK WASHER - 1/2", ZP                  |
| 16   | 100078   | 4   | LOCK WASHER - 7/16", ZP                 |
| 17   | 104995   | 4   | FLAT WASHER - SAE, 1/2", SST            |
| 18   | 100081   | 8   | FLAT WASHER - 7/16", ZP                 |
| 19   | 105293   | 4   | TUBE PLUG - Ø1-1/4"                     |
| 20   | 106901   | 1   | DECAL - MATTE BLACK, RH, 330460         |
| 21   | 106902   | 1   | DECAL - MATTE BLACK, LH, 330460         |
| 22   | 100252   | 1   | DECAL - LOGO, 1 X 3                     |



(A LIVERNE Company)

1200 E. Birch St.

Brandon, SD 57005

202442 SHEET 2 OF 4 13JUN08

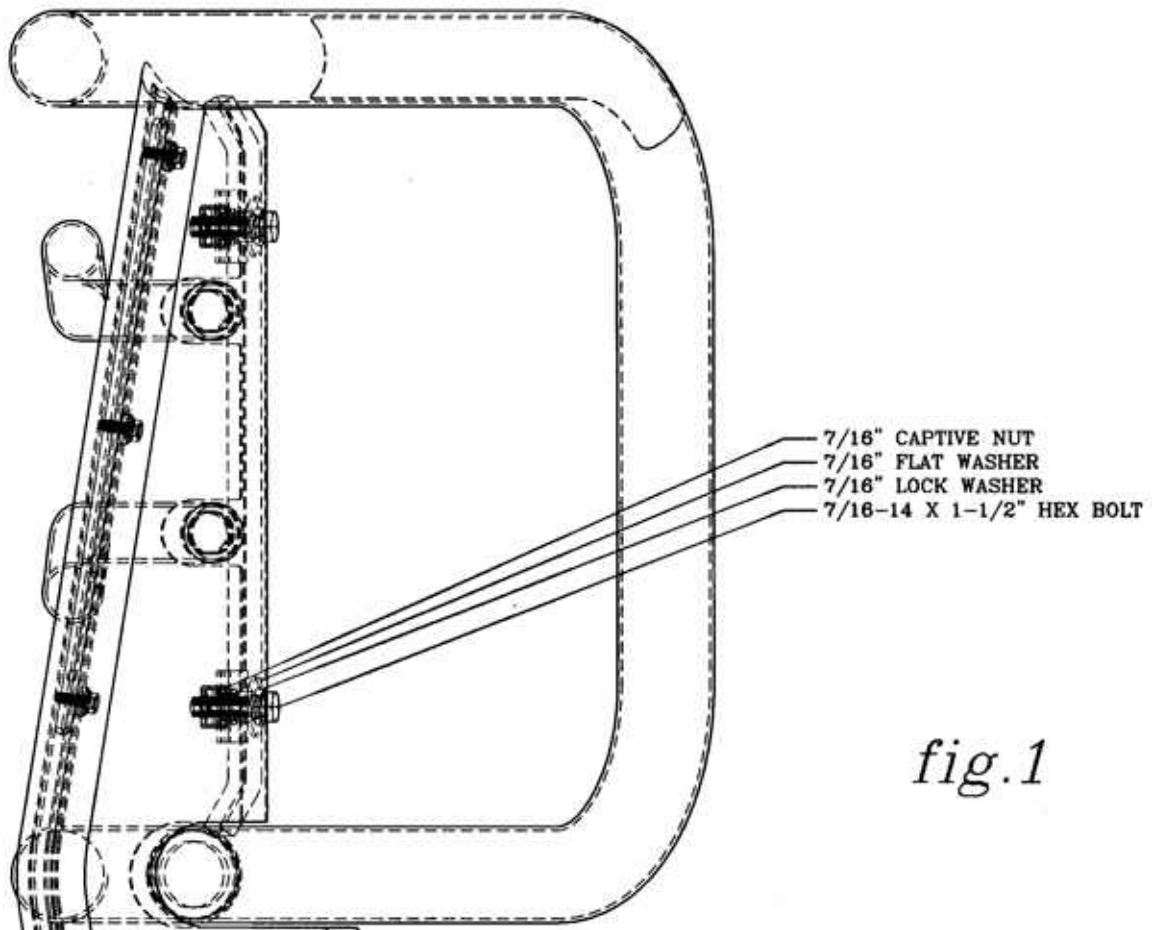
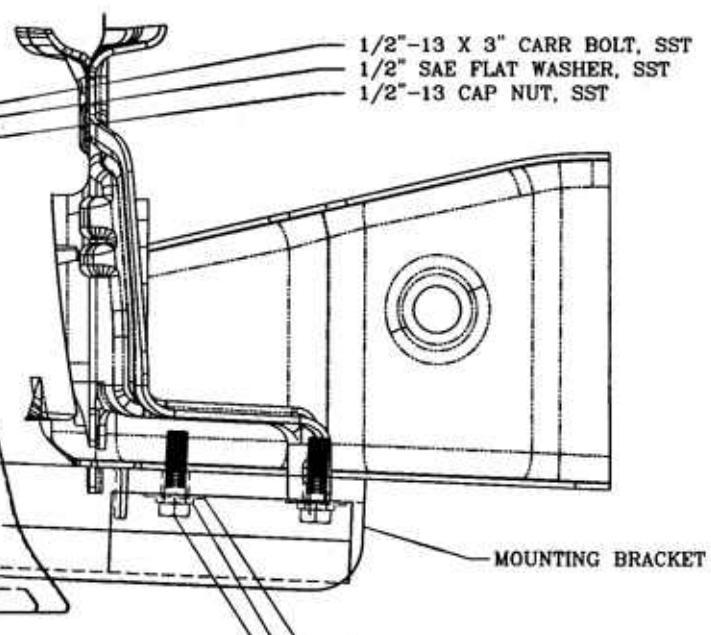


fig.1



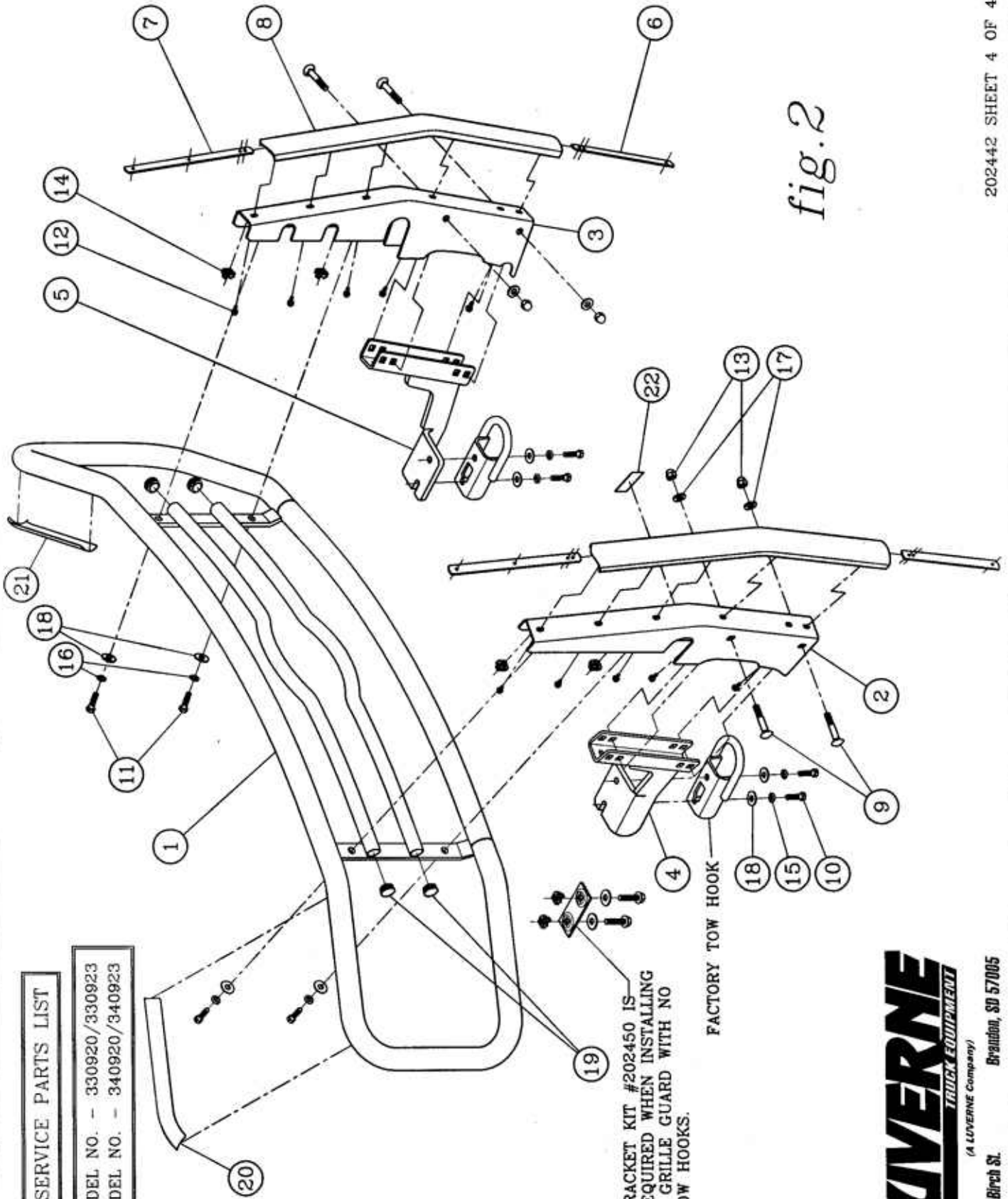
- 7/16" FLAT WASHER, ZP
- 1/2" LOCK WASHER, ZP
- M12 X 1.75 X 55mm HEX BOLT, ZP



1200 E. Birch St. Brandon, SD 57005

SERVICE PARTS LIST

MODEL NO. - 330920/330923  
 MODEL NO. - 340920/340923



BRACKET KIT #202450 IS  
 REQUIRED WHEN INSTALLING  
 A GRILLE GUARD WITH NO  
 TOW HOOKS.

FACTORY TOW HOOK

fig.2

**LIVERNE**  
 TRUCK EQUIPMENT  
(A LIVERNE Company)

1200 E. Birch St. Brandon, SD 57005