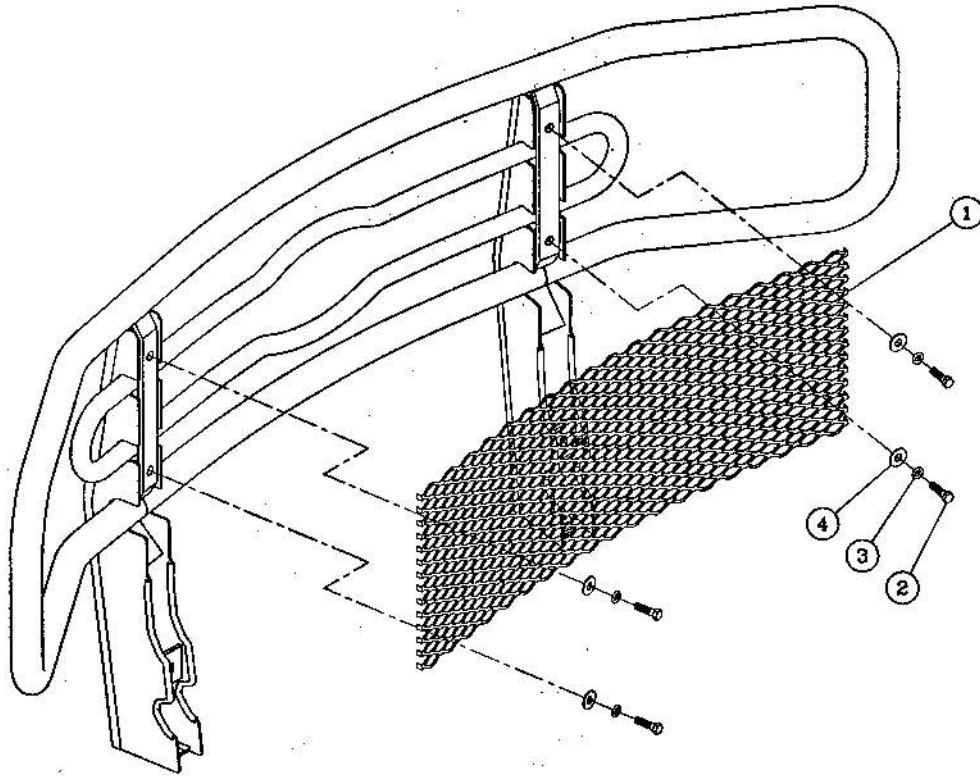


**INSTALLATION INSTRUCTIONS  
FOR MOUNTING  
ACCESSORY CENTER SCREENS – MODEL NO's  
390715 & 390825**



ITEM	PART NO.	QTY	DESCRIPTION
1	202473	1	CENTER SCREEN - 390825
1	202474	1	CENTER SCREEN - 390715
2	100070	4	HEX HEAD SCREW – 7/16"–14 X 1-1/2"
3	100078	4	7/16" LOCK WASHER
4	100081	4	7/16" FLAT WASHER

1. REMOVE THE FOUR 7/16" BOLTS AND WASHERS THAT HOLD THE UPRIGHTS TO THE RING.
2. INSTALL THE SCREEN TO THE BACK OF THE GRILLE GUARD RING SO THAT THE BEND EDGES OF THE SCREEN ARE DOWN.
3. REINSTALL THE BOLTS AND WASHERS THROUGH THE HOLES IN THE SCREEN.
4. EXERT PRESSURE ON THE CENTER OF THE SCREEN SO THAT IT IS CLOSER TO THE BACK OF THE RING BUT NOT TOUCHING ( 1/4" TO 3/8" AWAY) AND TIGHTEN THE BOLTS.

**LIVERNE**  
TRUCK EQUIPMENT

(A LIVERNE Company)

1200 E. Birch St.

Brandon, SD 57005

202475 SHEET 1 OF 1 23SEP08