

INSTALLATION INSTRUCTIONS AND PARTS LIST

MODEL 410920 GRIP STEPS

ACCESSORY KIT

FORD F150 SUPER CAB/SUPER CREW

1. Read instructions completely and check to make sure that all required parts (listed on the service parts list) are on hand before starting the installation. These instructions are in addition to the original instructions supplied in both the step package, and the main bracket package.
2. **Additional rear bracket:** This bracket will be approximately 6" from the back of the step. Repeat the procedure in operation #3 to attach the bracket to the truck. Clamp the bracket into position. Drill a (11/32") hole in the pinch weld area. Insert bolt, washer, and nut to hold the bracket in place. Mark the top hole location, and drill a (7/32") hole into the top rocker panel. Place a self tapping screw through the bracket, and into the small hole (item #11) and tighten the screw, but do not over tighten.
3. **Front bracket:** This bracket, which is in the main bracket kit, will need to be positioned approximately 6" from the front of the step. Repeat the procedure in operation #3 to attach the bracket to the truck.
4. **Attach the mounting bracket to the step:**
 - 4.1 Slide a support brace over the top of the new rear mounting bracket. Attach the flat spacer plate (item #4) to the bottom of the step, between the upper support brace (item #2) and the top of the mounting bracket.
 - 4.2 Using the supplied 5/16-18 x 3/4" carriage bolt, washer, and flange nuts, (item #5, 6, 7), attach the step assembly, flat spacer plate and mounting bracket as shown.

SERVICE PARTS LIST

ITEM	PART NO.	QTY	DESCRIPTION
1	551384	EXISTING	EXTRUSION-AL,77.62, GRIP STEP,BLK,415078
2	551296	2	SUPPORT BRACE, UPPER, GALV
3	551394	EXISTING	CAP-END,GRIP STEP, BLACK ABS
4	551298	2	SPACER PLATE, LOWER, BLACK
5	104262	4	BOLT-CRG,5/16-18 X 3/4, SST
6	101369	4	WASHER-FLAT,5/16,SST
7	102680	8	NUT-SERR FLG,HX,SST,WX,5/16-18
8	551560	2	BRKT-MTG,STEP, FORD F-150
9	106997	2	SCREW-HEX HEAD CAP, 5/16-18 X 1.0,SST,BLACK
10	106998	2	WASHER-FLAT, 5/16", SST, BLACK
11	104267	4	5/16"X3/4" SELF TAPPING SCREW



(A LIVERNE Company)

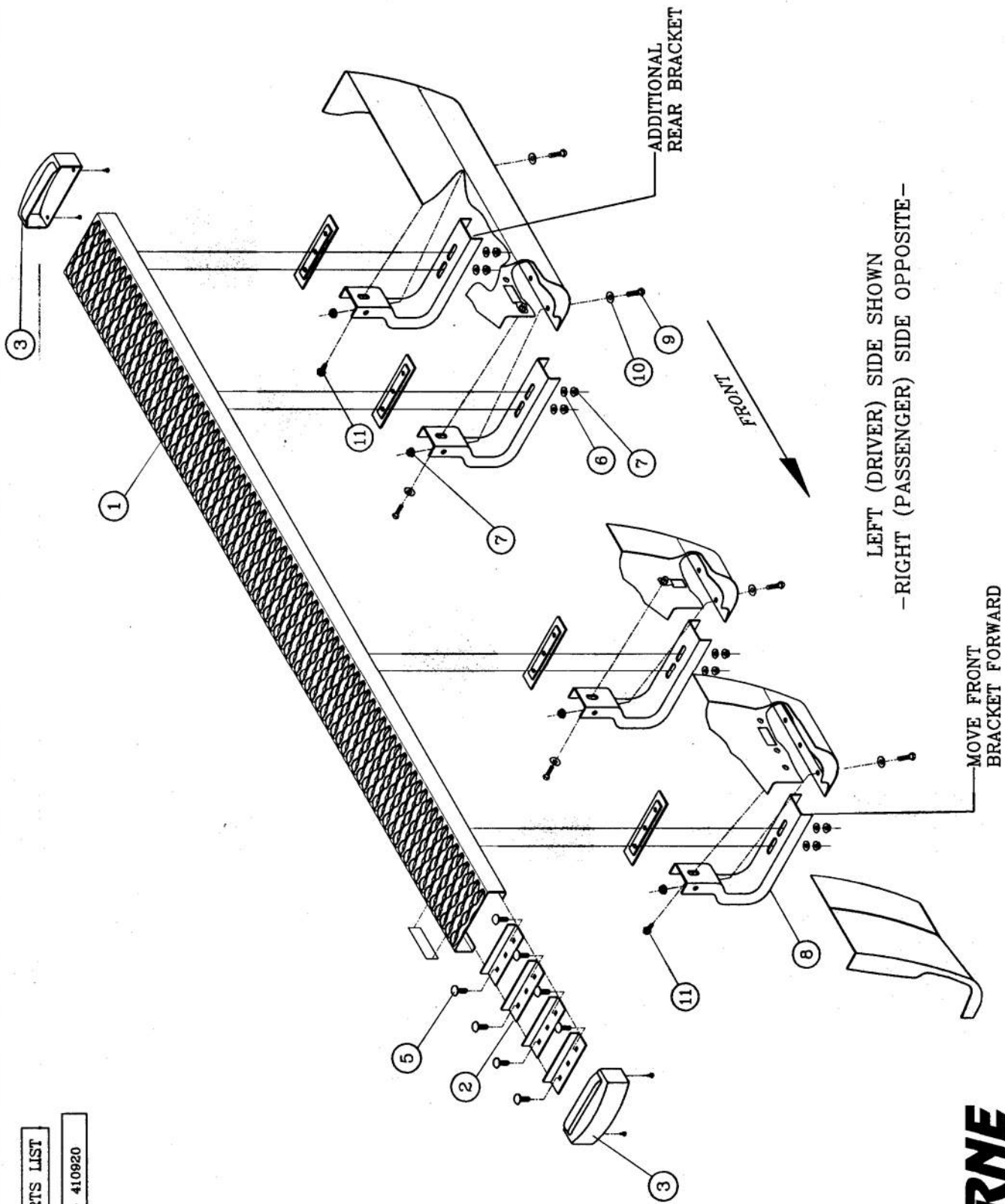
1200 E. Birch St.

Brandon, SD 57005

551393 SHEET 1 OF 2 08JUL09

SERVICE PARTS LIST

MODEL NO. - 410820



LEFT (DRIVER) SIDE SHOWN
-RIGHT (PASSENGER) SIDE OPPOSITE-

LIVERNE
TRUCK
EQUIPMENT
INC.
1200 Birch Street
Brandon, SD 57005