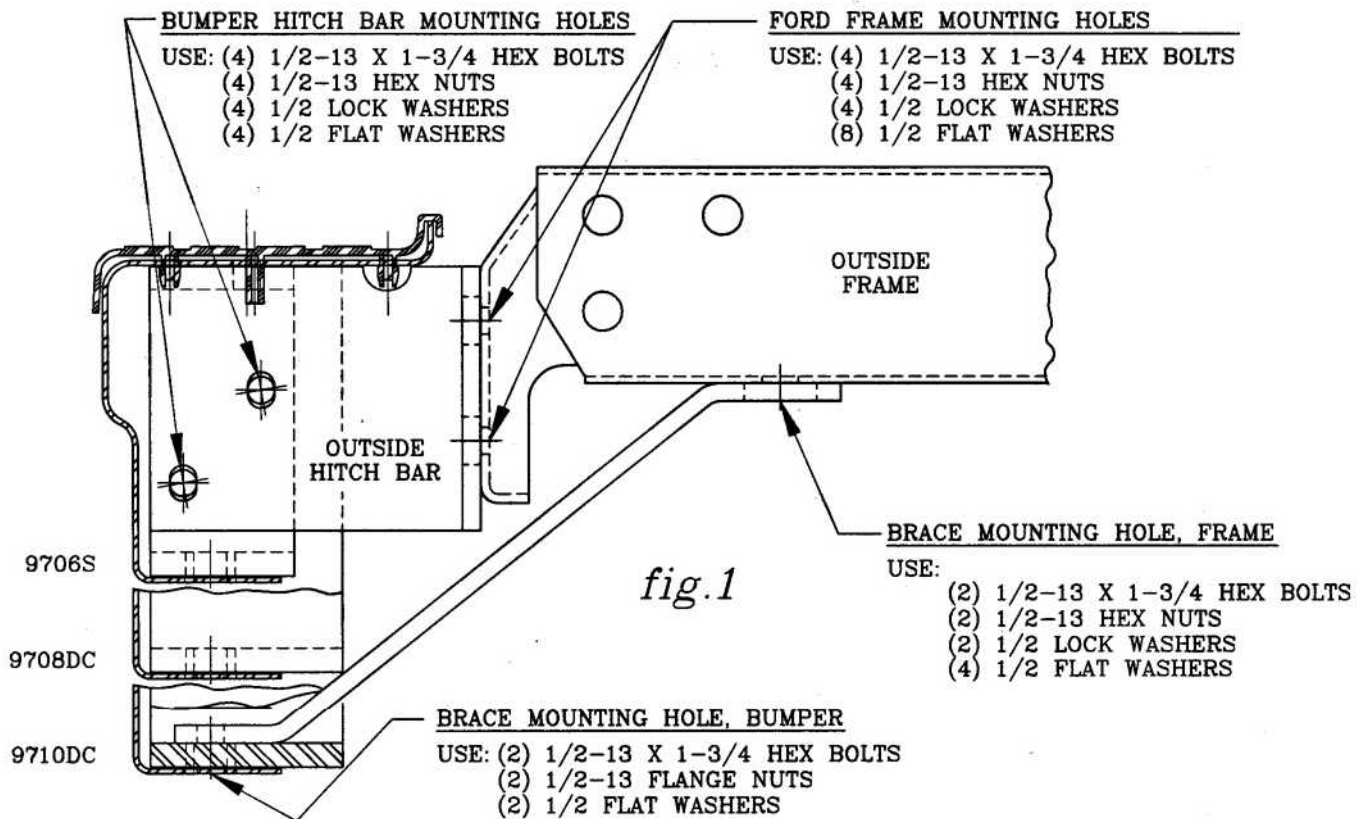


INSTALLATION INSTRUCTIONS
FOR MOUNTING
LIVERNE STEP BUMPER - F9706S, F9708DC, F9710DC
TO 1997 AND NEWER LIGHT DUTY F-150 & F-250LD FORD PICKUPS

- BEFORE STARTING THE INSTALLATION OF THE BUMPER, READ OVER THESE INSTRUCTIONS TO BECOME BASICALLY FAMILIAR WITH THE INSTALLATION PROCEDURE.



- ATTACH THE BUMPER MOUNTING BRACKETS TO THE FRAME BRACKETS AT THE END OF THE TRUCK FRAME AS SHOWN IN FIGURE 1 & 2, USING THE FASTENERS SPECIFIED. DO NOT TIGHTEN THE BOLTS AT THIS TIME.
- LIFT THE BUMPER INTO POSITION SO THAT THE MOUNTING BRACKETS ARE TO THE OUTSIDE OF THE HITCH BAR, AND FASTEN WITH THE BOLTS, NUTS, AND WASHERS AS SPECIFIED IN FIG. 1.
- IF YOU ARE INSTALLING A 10" DROP CENTER, INSTALL THE FRAME BRACES AT THIS TIME. REMOVE THE NUT FROM THE LOWER BOLT THAT ATTACHES THE HITCH BAR TO THE SHELL, AND INSTALL THE BRACE ON THAT BOLT AS SHOWN IN FIGS. 1 & 4 AND REINSTALL THE NUT. FASTEN THE UPPER END OF THE BRACES TO THE BOTTOM OF THE FRAME FLANGE WITH THE FASTENERS SPECIFIED IN FIGS. 1 & 4.
- ADJUST THE BUMPER SO IT IS LEVEL FROM END TO END AND FROM FRONT TO BACK, AND TIGHTEN ALL BOLTS SECURELY.
- WIRE THE LICENSE PLATE LIGHT HARNESS INTO THE VEHICLE WIRING HARNESS BY CUTTING THE VEHICLE LICENSE PLATE WIRES APPROX. 3" FROM THE CONNECTION. STRIP ABOUT A 1/4" OF THE INSULATION FROM THE END OF THE WIRES. ATTACH THE ENDS OF THE LICENSE PLATE LIGHT WIRE HARNESS TO THE END OF THE VEHICLE WIRE HARNESS AND CRIMP THE CONNECTORS.
- ATTACH THE WIRE LOOM TO THE BACK OF THE CENTER PANEL WITH THE SELF ADHESIVE WIRE HARNESS CLIPS. HOLD THE WIRE LOOM APPROX. 1" BELOW THE TOP LIP AND SET THE HOOK OF THE CLIP OVER THE WIRE LOOM AND PRESS INTO PLACE. SPACE THE CLIPS APPROX. 12" APART. THE MOUNTING SURFACE SHOULD BE CLEAN, DRY AND WARM FOR BEST ADHESION.

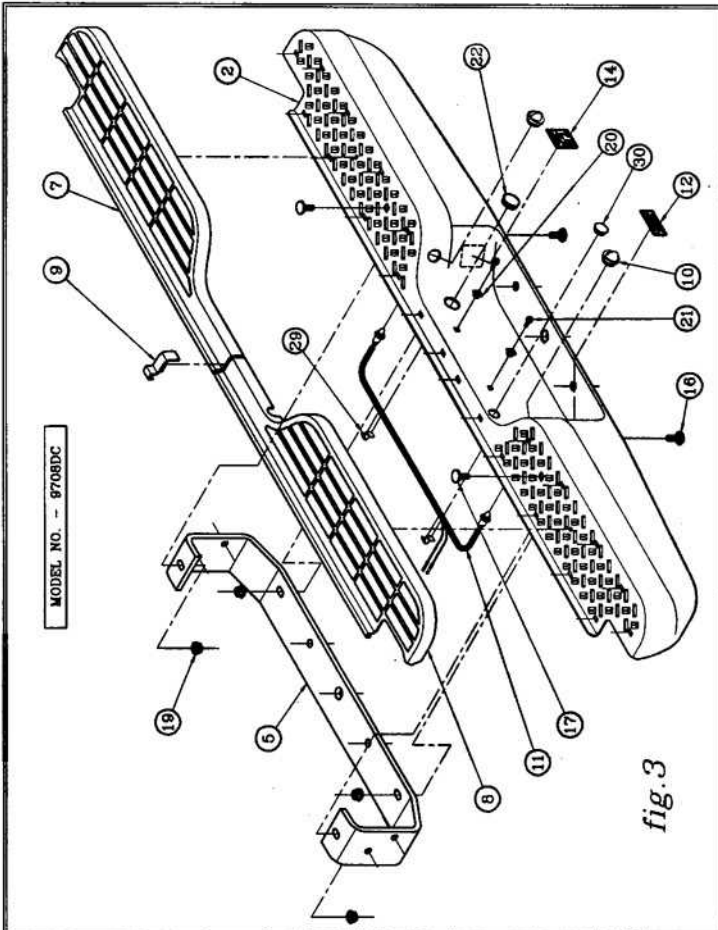


fig. 3

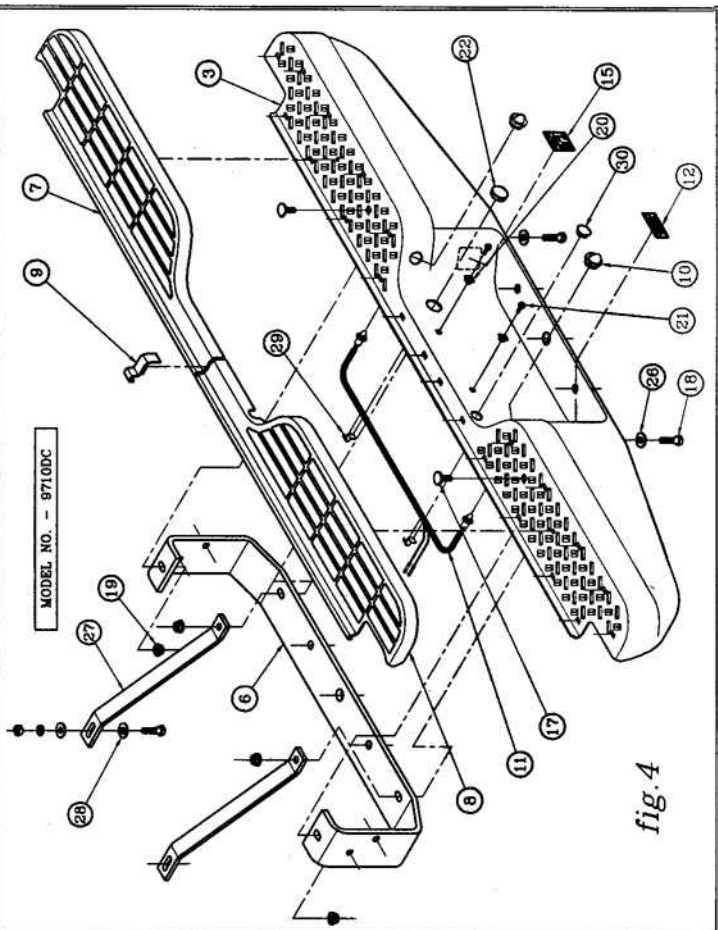


fig. 4

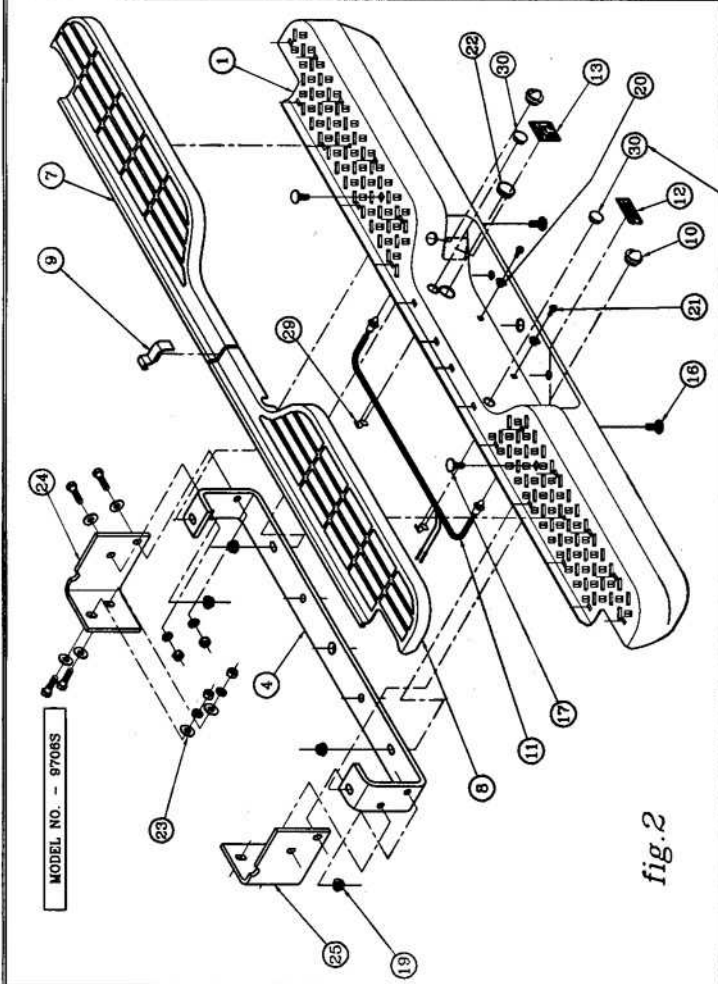


fig. 2

NOTE: REMOVE PLUG FOR ACCESS TO THE SPARE TIRE CRANK TUBE ON ALL BUMPER MODELS, WHEN INSTALLED ON 1987 AND NEWER LIGHT DUTY FORD PICKUPS.

SERVICE PARTS LIST

ITEM	PART NO.	QTY.	DESCRIPTION
1	120927	1	BUMPER SHELL - C9906SC, CHROME
2	120938	1	BUMPER SHELL - C9906SB, BLACK
3	120592	1	BUMPER SHELL - 9408DC, CHROME
4	120591	1	BUMPER SHELL - 9408DC, BLACK
5	120562	1	BUMPER SHELL - 9410DC, CHROME
6	120571	1	BUMPER SHELL - 9410DC, BLACK
7	159050	1	HITCH BAR - 90S
8	120585	1	HITCH BAR - 9408DC
9	120565	1	HITCH BAR - 9410DC
10	102078	1	BUMPER TOP - RH
11	102075	1	BUMPER TOP - NOTCHED, LH
12	102191	1	BUMPER TOP - CENTER SPLICE
13	103316	2	LICENSE PLATE LAMP
14	103315	1	WIRE HARNESS - LIC PLATE LAMP
15	103751	1	DISCLAIMER DECAL
16	103332	1	CAPACITY DECAL - 9406S
17	103307	1	CAPACITY DECAL - 9408DC
18	103306	1	CAPACITY DECAL - 9410DC
19	102426	2	CRG BOLT - 1/2-13 X 1-1/4
20	102194	2	FLT HD BOLT - 1/2-13 X 1-1/4
21	100870	2	HEX HD BOLT - 1/2-13 X 1-3/4
22	100123	4	NUT - 1/2-13 FLANGE LOCK
23	100170	2	PLASTIC EXPANSION NUT
24	100003	2	LICENSE PLATE SCREW
25	102254	1	HOLE PLUG, 1-1/2" DIA.
26	120760	1	FASTENER PACKAGE - RH, F9706SC
27	120758	1	MOUNTING BRACKET - LH, F9706SC
28	100118	2	WASHER - 1/2" FLAT
29	120770	2	FRAME BRACE
30	120171	1	FASTENER PACKAGE - FRAME BRACE
	103326	2	WIRE HARNESS CLIP
	103746	2	HOLE PLUG - Ø1.000"



1200 E. Birch St. Brandon, SD 57005

REVISED 14NOV08 LVL B
REVISED 04MAY01 LVL A
120762 SHEET 2 01FEB96