

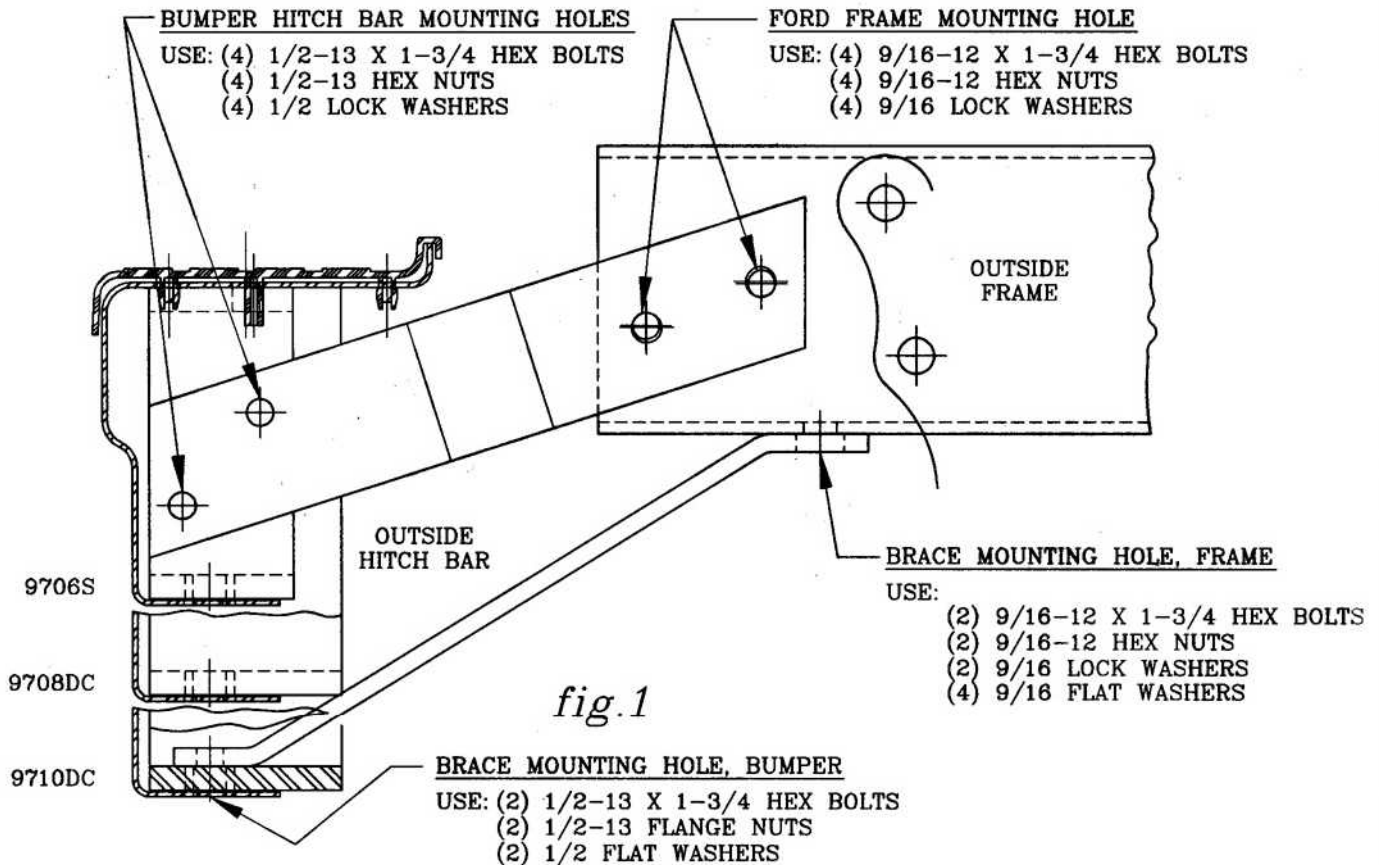
INSTALLATION INSTRUCTIONS

FOR MOUNTING

LUVERNE STEP BUMPERS - F9906S, F9908DC, F9910DC

TO 1999 AND NEWER F-250 & F-350 HEAVY DUTY FORD PICKUPS

1. BEFORE STARTING THE INSTALLATION OF THE BUMPER, READ OVER THESE INSTRUCTIONS TO BECOME BASICALLY FAMILIAR WITH THE INSTALLATION PROCEDURE.

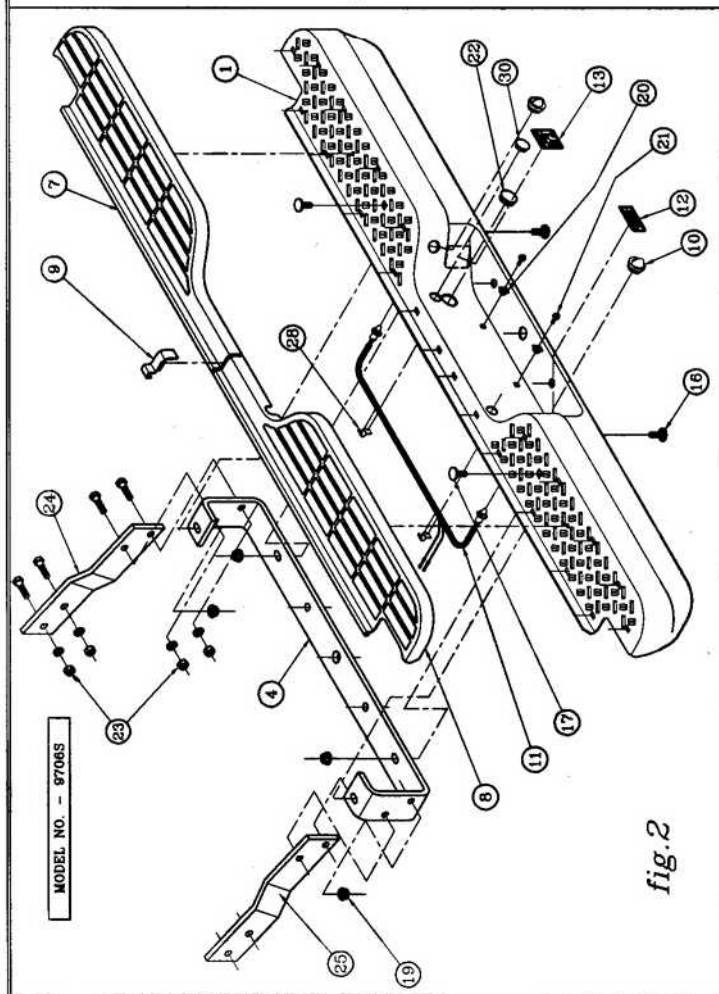
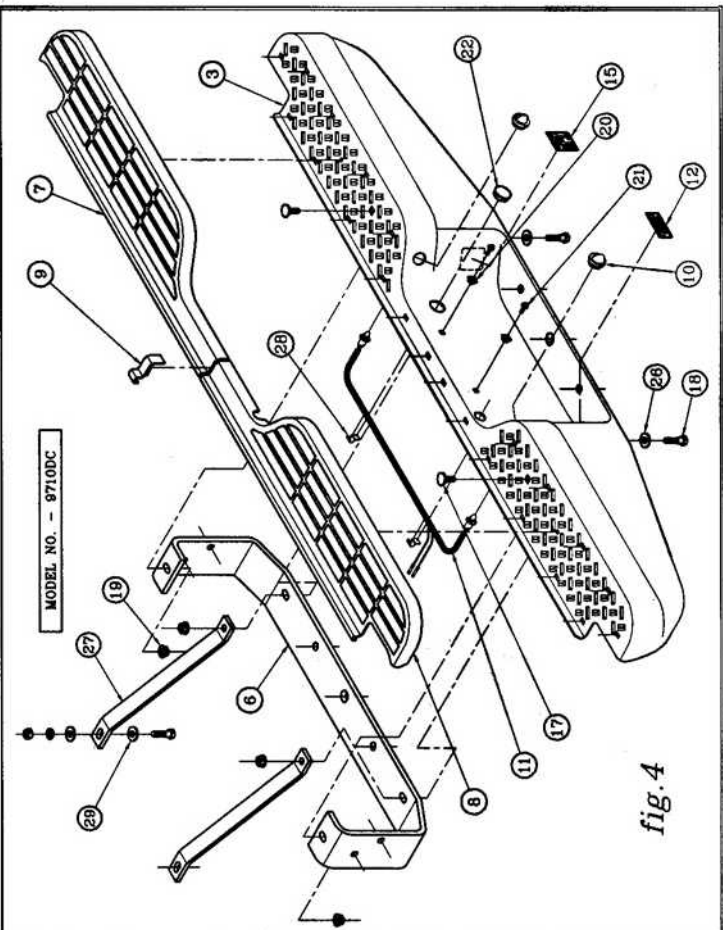
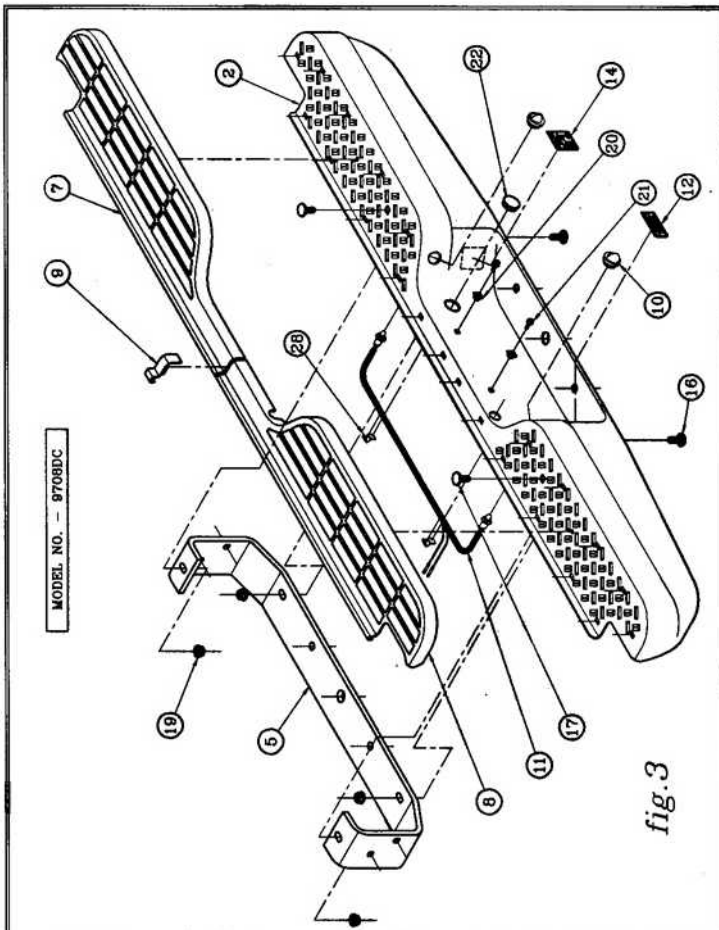


2. ATTACH THE BUMPER MOUNTING BRACKETS TO THE OUTSIDE OF THE TRUCK FRAME AS SHOWN IN FIGURE 1 & 2, USING THE FASTENERS SPECIFIED. DO NOT TIGHTEN THE BOLTS AT THIS TIME.
3. LIFT THE BUMPER INTO POSITION SO THAT THE MOUNTING BRACKETS ARE TO THE OUTSIDE OF THE HITCH BAR, AND FASTEN WITH THE BOLTS, NUTS, AND WASHERS AS SPECIFIED IN FIG. 1.
4. IF YOU ARE INSTALLING A 10" DROP CENTER, INSTALL THE FRAME BRACES AT THIS TIME. REMOVE THE NUT FROM THE LOWER BOLT THAT ATTACHES THE HITCH BAR TO THE SHELL, AND INSTALL THE BRACE ON THAT BOLT AS SHOWN IN FIGS. 1 & 4 AND REINSTALL THE NUT. FASTEN THE UPPER END OF THE BRACES TO THE BOTTOM OF THE FRAME FLANGE WITH THE FASTENERS SPECIFIED IN FIGS. 1 & 4.
5. ADJUST THE BUMPER SO IT IS LEVEL FROM END TO END AND FROM FRONT TO BACK, AND TIGHTEN ALL BOLTS SECURELY.
6. WIRE THE LICENSE PLATE LIGHT HARNESS INTO THE VEHICLE WIRING HARNESS BY CUTTING THE VEHICLE LICENSE PLATE WIRES APPROX. 3" FROM THE CONNECTION. STRIP ABOUT A 1/4" OF THE INSULATION FROM THE END OF THE WIRES. ATTACH THE ENDS OF THE LICENSE PLATE LIGHT WIRE HARNESS TO THE END OF THE VEHICLE WIRE HARNESS AND CRIMP THE CONNECTORS.
7. ATTACH THE WIRE LOOM TO THE BACK OF THE CENTER PANEL WITH THE SELF ADHESIVE WIRE HARNESS CLIPS. HOLD THE WIRE LOOM APPROX. 1" BELOW THE TOP LIP AND SET THE HOOK OF THE CLIP OVER THE WIRE LOOM AND PRESS INTO PLACE. SPACE THE CLIPS APPROX. 12" APART. THE MOUNTING SURFACE SHOULD BE CLEAN, DRY AND WARM FOR BEST ADHESION.

LUVERNE
 TRUCK EQUIPMENT
(A LUVERNE COMPANY)

1200 E. Birch St. Brandon, MS 37005

REVISED 14NOV89 LVL A
 120905 SHEET 1 02/98



SERVICE PARTS LIST

ITEM	PART NO.	QTY.	DESCRIPTION
1	120827	1	BUMPER SHELL - C8906SC, CHROME
2	120638	1	BUMPER SHELL - C8906SB, BLACK
3	120591	1	BUMPER SHELL - 9408DC, CHROME
4	120562	1	BUMPER SHELL - 9408DC, BLACK
5	120571	1	BUMPER SHELL - 9410DC, CHROME
6	159050	1	BUMPER SHELL - 9410DC, BLACK
7	120585	1	HITCH BAR - 90S
8	120585	1	HITCH BAR - 9408DC
9	120755	1	HITCH BAR - 9410DC
10	102191	1	BUMPER TOP - RH
11	103316	1	BUMPER TOP - NOTCHED, LH
12	103315	1	BUMPER TOP - CENTER SPLICE
13	103751	1	LICENSE PLATE LAMP
14	103932	1	WIRE HARNESS - LIC PLATE LAMP
15	103307	1	DISCLAIMER DECAL
16	102426	1	CAPACITY DECAL - 9406S
17	102194	1	CAPACITY DECAL - 9408DC
18	100870	2	CRG BOLT - 1/2-13 X 1-1/4
19	100123	2	FLT HD BOLT - 1/2-13 X 1-1/4
20	100170	2	HEX HD BOLT - 1/2-13 X 1-3/4
21	100003	2	NUT - 1/2-13 FLANGE LOCK
22	102254	2	PLASTIC EXPANSION NUT
23	120015	1	LICENSE PLATE SCREW
24	120802	1	HOLE PLUG, 1-1/2" DIA.
25	120903	1	FASTENER PACKAGE, C88SC
26	100118	1	MOUNTING BRACKET - RH, F99
27	120919	1	MOUNTING BRACKET - LH, F99
28	103326	2	WASHER - 1/2" FLAT
29	120921	2	FRAME BRACE
30	103746	2	WIRE HARNESS CLIP
		1	FASTENER PACKAGE - BRACE
		1	HOLE PLUG - SNAP, 1" DIA.

LIVERNE
TRUCK EQUIPMENT

(A LIVERNE Company)

1200 E. Birch St.

Brandon, SD 57005

REVISED 14NOV08 LVL A
120905 SHEET 2 02/98