

INSTALLATION INSTRUCTIONS AND PARTS LIST

MODEL 570553 MEGA STEPS BRACKETS:

2005 AND NEWER TOYOTA TACOMA ACCESS AND DOUBLE CAB PICKUPS
2007 AND NEWER TOYOTA FJ CRUISER



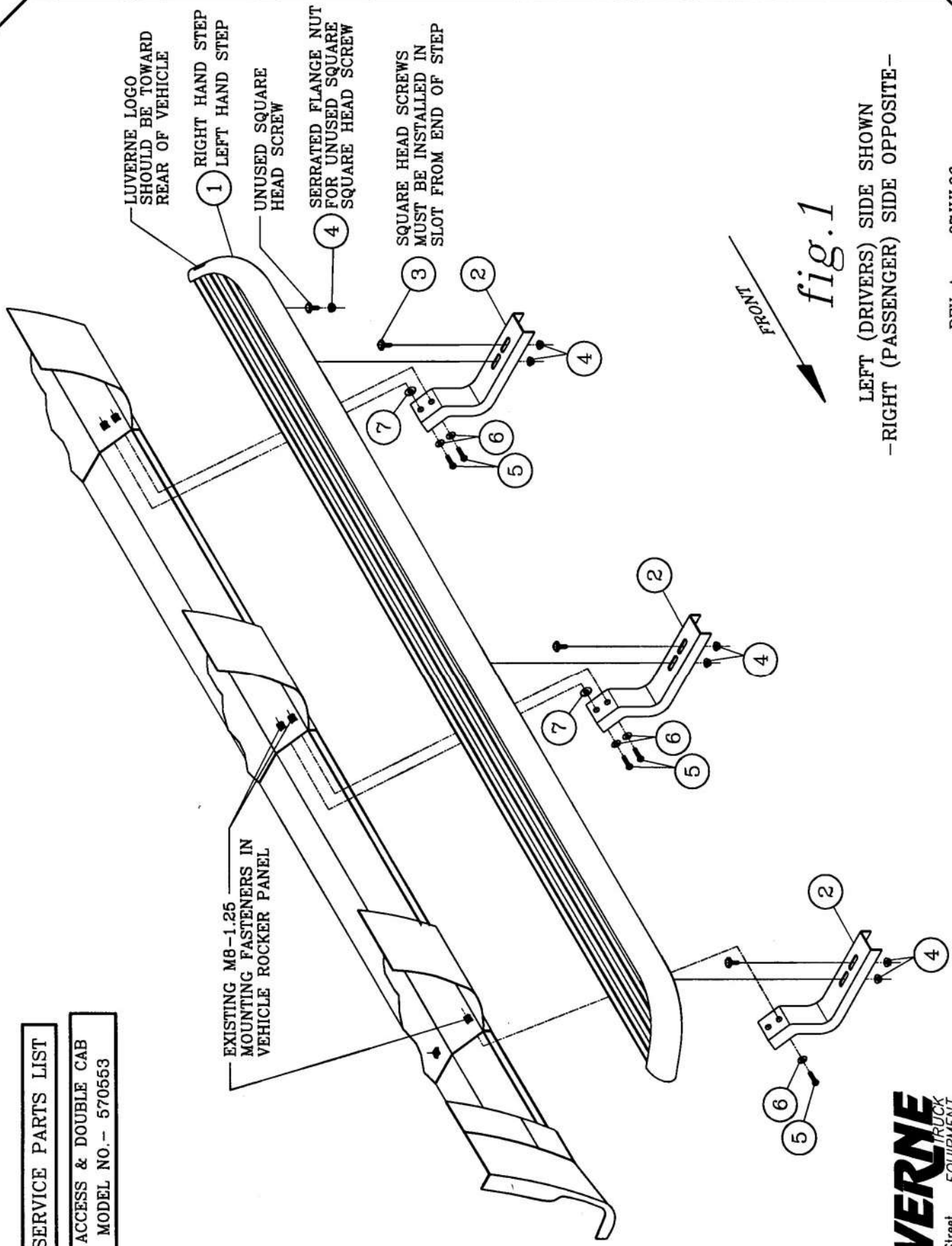
1. READ INSTRUCTIONS COMPLETELY AND CHECK TO MAKE SURE THAT ALL REQUIRED PARTS (LISTED ON SERVICE PARTS LIST) ARE ON HAND BEFORE STARTING THE INSTALLATION.
2. EXISTING MOUNTING FASTENERS (M8-1.25 FACTORY NUTS WITH SLOTTED PLASTIC PLUGS) ARE LOCATED ON THE INCLINED INTERIOR SURFACES OF THE ROCKER PANEL. THESE MOUNTING FASTENERS ARE USED FOR THIS INSTALLATION PER THE FOLLOWING INSTRUCTIONS.
3. ATTACH THE MOUNTING BRACKETS (ITEM #2) TO THE VEHICLE.
 - 3.1. POSITION THE BRACKETS ON THE VEHICLE SO THAT THE HOLES IN THE BRACKETS LINE UP WITH THE WITH THE 8mm METRIC NUTS IN THE ROCKER PANEL. ATTACH THE BRACKETS WITH M8-1.25 X 25mm (APPROX. 1.00" LONG) ZINC PLATED HEX HEAD CAP SCREW (ITEM #5) AND 5/16" ZINC PLATED FLAT WASHER (ITEM #6).
 - 3.2. EACH FRONT BRACKET USES ONE SCREW AND WASHER AS SHOWN.
 - 3.3. EACH CENTER AND REAR BRACKET USES TWO SCREWS AND WASHERS AND ONE ADDITIONAL WASHER (ITEM #7), USED AS A SPACER, BETWEEN THE BRACKET AND THE ROCKER PANEL AS SHOWN.
4. ATTACH THE STEPS (ITEM #1) TO THE MOUNTING BRACKETS.
 - 4.1. INSERT THREE (3) 5/16" SQUARE HEAD SCREWS (ITEM #3) IN THE CENTER SLOT ON THE UNDER SIDE OF THE STEP.
 - 4.2. POSITION THE STEP ON THE MOUNTING BRACKETS SO THAT THE SQUARE HEAD SCREWS ARE LOCATED IN THE SLOTS OF THE MOUNTING BRACKETS AND THE STEP IS CENTERED FRONT TO REAR.
 - 4.3. LOCATE THE STEP, IN AND OUT, AS DESIRED, INSTALL 5/16" SERRATED FLANGE NUTS (ITEM #4) ON THE SQUARE HEAD SCREWS AND TIGHTEN TO 19 LB FT.
 - 4.4. INSTALL 5/16-18 SERRATED FLANGE NUTS (ITEM #4) ON ANY UNUSED SQUARE HEAD SCREWS IN THE INBOARD SLOT OF THE STEP AND TIGHTEN TO 19 LB FT.

SERVICE PARTS LIST

ITEM	PART NO.	QTY	DESCRIPTION
1		2	MEGA STEP BOARD ASSEMBLY- (SOLD SEPARATELY) LENGTH WILL VARY DEPENDING ON APPLICATION
2	551633	6	BRKT- MTG, MEGA STEP, RH/LH, TOYOTA TACOMA
3	106880	6	SCREW-SQUARE HEAD, 5/16 18 UNC
4	102680	14	NUT-SERRATED FLANGE, HEX, SST, 5/16-18 UNC
5	102549	10	SCREW- HEX HEAD CAP, M8-1.25 X 25mm,ZP
6	100034	10	WSHR-PL, A, STL, 5/16,.375 ID X .875 OD X .083 THK, ZP
7	100062	4	WSHR-PL, A, STL, 3/8,.438 ID X 1.00 OD X .083 THK, ZP

SERVICE PARTS LIST

ACCESS & DOUBLE CAB
MODEL NO. - 570553



LUVERNE LOGO SHOULD BE TOWARD REAR OF VEHICLE

1 RIGHT HAND STEP
LEFT HAND STEP

UNUSED SQUARE HEAD SCREW

4 SERRATED FLANGE NUT FOR UNUSED SQUARE HEAD SCREW

3 SQUARE HEAD SCREWS MUST BE INSTALLED IN SLOT FROM END OF STEP

EXISTING MB-1.25 MOUNTING FASTENERS IN VEHICLE ROCKER PANEL

FRONT

fig.1

LEFT (DRIVERS) SIDE SHOWN
-RIGHT (PASSENGER) SIDE OPPOSITE-

REV A 07JUL06
551630 SHEET 2 10MAY06

LUVERNE TRUCK
EQUIPMENT
INC.
1200 Birch Street
Brandon, SD 57005