

INSTALLATION INSTRUCTIONS AND PARTS LIST

APPLICATION:

MODEL 570932 MEGA STEPS:
2009 DODGE RAM 1500 QUAD CAB PICKUPS
2009 DODGE RAM 1500 CREW CAB PICKUPS



1. READ INSTRUCTIONS COMPLETELY AND CHECK TO MAKE SURE THAT ALL REQUIRED PARTS (LISTED ON THE SERVICE PARTS LIST) ARE ON HAND BEFORE STARTING THE INSTALLATION.
2. ATTACH THE MOUNTING BRACKETS TO THE VEHICLE AS FOLLOWS:
 - 2.1 ON THE VERTICAL WALL OF THE ROCKER PANEL, INSTALL THE T-BOLT WELMENT (ITEM #3) INTO THE LARGE OBOUND HOLE AND FISH THE OTHER END THROUGH THE FORWARD 1/2" HEXAGON HOLE **BE CAREFULL NOT TO DROP THE T-BOLT INSIDE OF THE ROCKER PANEL.** ATTACH THE FLAT NYLON WASHER (ITEM #5) TO THE THREADED END OF EACH BOLT. (THIS IS TO BE USED AS A RETAINER.)
 - 2.2 POSITION THE MOUNTING BRACKET (ITEM #2) SO THAT THE HOLES IN THE BRACKETS LINE UP WITH THE THREADED STUDS ON THE INSIDE WALL OF THE ROCKER PANEL. INSTALL THE 3/8-16 SERRATED FLANGE NUTS (ITEM #4). TIGHTEN BRACKET FASTENERS TO 19 LB FT.
3. PREPARE THE MEGA STEP PLATE FOR MOUNTING BY INSERTING THREE (3) 5/16" SQUARE HEAD SCREWS (ITEM #6) IN THE CENTER SLOT ON THE UNDER SIDE OF THE STEP.
4. POSITIONS THE MEGA STEP ON THE MOUNTING BRACKETS SO THAT THE SQUARE HEAD SCREWS ARE LOCATED IN THE SLOTS OF THE MOUNTING BRACKETS AND THE STEP IS CENTERED, FRONT TO REAR, ON THE VEHICLE. INSTALL 5/16" SERRATED FLANGE NUTS (ITEM #7) ON THE SQUARE HEAD SCREWS AND TIGHTEN TO 19 LB FT.

SERVICE PARTS LIST

ITEM	PART NO.	QTY	DESCRIPTION
1	575078	1	MEGA STEP ASSEMBLY- 78" QUAD CAB
1	585078	1	O-MEGA STEP ASSEMBLY- 78" QUAD CAB
1	575088	1	MEGA STEP ASSEMBLY- 88" CREW CAB
1	585088	1	O-MEGA STEP ASSEMBLY- 88" CREW CAB
2	551656	6	MOUNTING BRACKET, BLK, DODGE, MEGA STEP
3	550147	6	T-BOLT WELDMENT, ZP
4	100181	12	NUT-SERRATED FLANGE,HEX,3/8-16,ZP
5	108442	12	WASHER-NYLON,.360 X 1.50 X .032
6	106880	6	SCREW-SQUARE HD,5/16-18UNC X 1.00"
7	102680	14	NUT-SERRATED FLANGE, HEX, SST, 5/16-18 UNC

LIVERNE
TRUCK EQUIPMENT

(A LIVERNE Company)

1200 E. Birch St.

Brandon, SD 57005

551648 SHEET 1 10SEP08

SERVICE PARTS LIST

BRACKET NO. - 570932

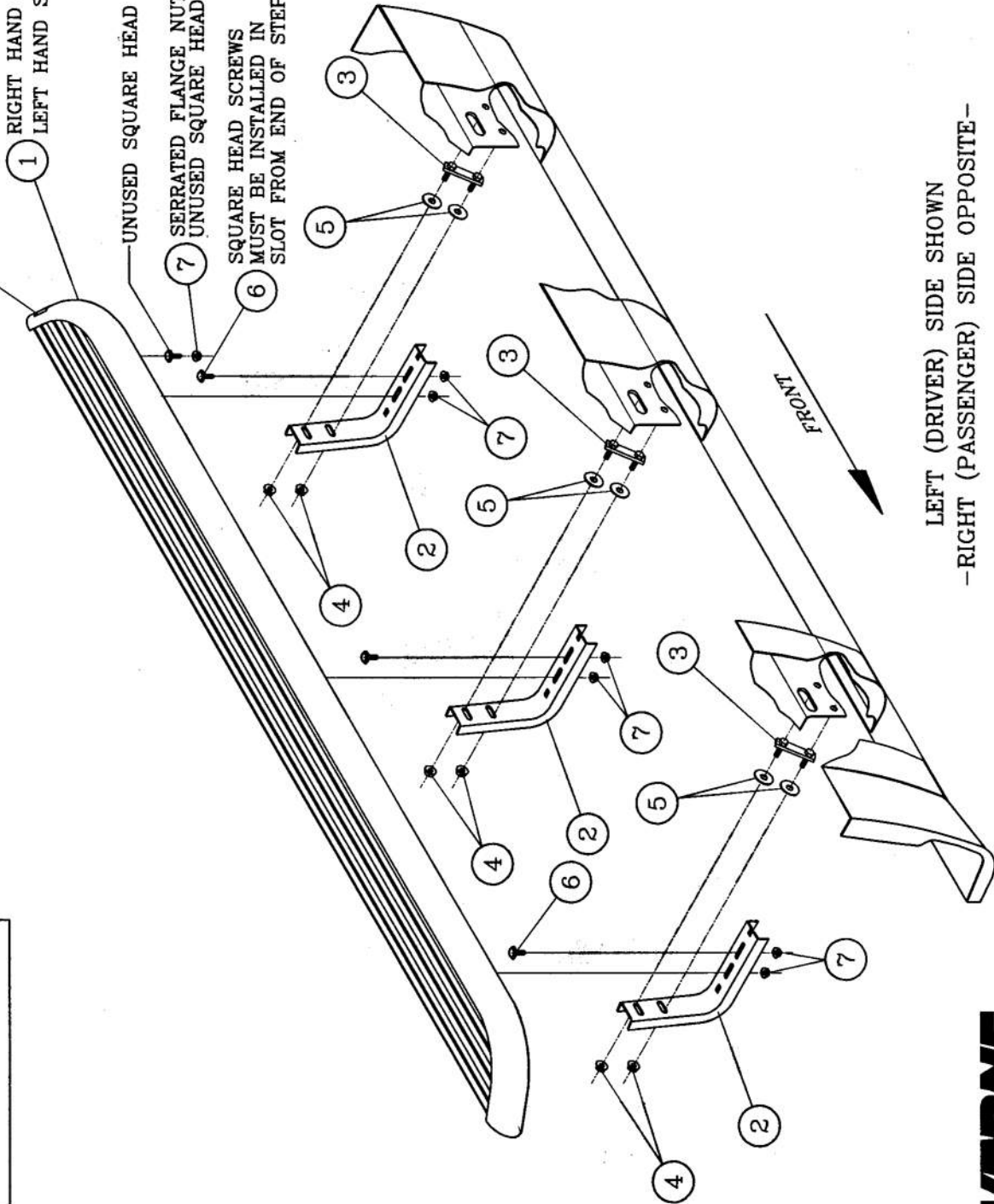
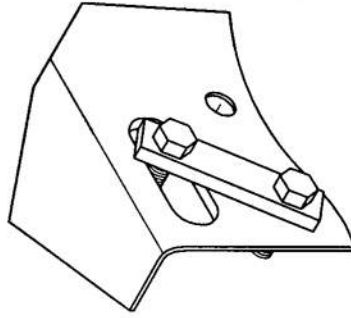
1 LUVERNE LOGO SHOULD BE TOWARD REAR OF VEHICLE

2 RIGHT HAND STEP
3 LEFT HAND STEP

4 UNUSED SQUARE HEAD SCREW

5 SERRATED FLANGE NUT FOR UNUSED SQUARE HEAD SCREW

6 SQUARE HEAD SCREWS MUST BE INSTALLED IN SLOT FROM END OF STEP



LEFT (DRIVER) SIDE SHOWN
-RIGHT (PASSENGER) SIDE OPPOSITE-

LUVERNE
TRUCK EQUIPMENT

(A LUVERNE Company)
1200 E. Birch St.
Brandon, SD 57005