

INSTALLATION INSTRUCTIONS AND PARTS LIST

FOR MOUNTING 571134 MEGA STEP/OMEGA STEP BRACKETS ON:
2011 DODGE DURANGO/2011 JEEP GRAND CHEROKEE



PLEASE READ INSTRUCTIONS COMPLETELY BEFORE INSTALLING

1. LOCATE AND REMOVE THE SECOND, FOURTH, AND SIXTH OBOURD BODY PLUGS FROM UNDER AND BEHIND THE PLASTIC GROUND EFFECTS. FIG.1
2. INSTALL THE T-BOLT (ITEM #3) UP INTO OBOURD HOLE AS SHOWN IN FIG.2
3. PLACE THE BRACKET (ITEM #2) UP AND OVER T-BOLT THREADS AND PLACE THE NUT (ITEM #7) ON FINGER TIGHT. THEN PUT (2) CARRIAGE BOLTS (ITEM #5) IN THE OBOURD HOLES IN THE BRACKET AND PINCH WELD AREA AND THEN NUT (ITEM #6). TIGHTEN ALL FASTENERS.
4. REPEAT STEPS 2 & 3 FOR EACH BRACKET ON BOTH DRIVER AND PASSENGER SIDE.
5. ATTACH THE STEPS (ITEMS #1) TO THE MOUNTING BRACKETS.
 - 5.1 INSERT [3] 5/16" SQUARE HEAD SCREWS (ITEM #8) ON THE UNDERSIDE OF EACH STEP IN THE CENTER SLOT OF THE MEGA BOARDS. THE BOARD WILL ALREADY HAVE (5) 5/16" SQUARE HEAD SCREWS IN THE INSIDE SLOT, AND (2) OF THEM YOU WILL NOT USE. SLIDE THEM TO THE END OF BOARD AND PLACE A NUT (ITEM #4) ON THEM. *(NOTE: O-MEGA STEP WILL NEED THREE SQUARE HEAD SCREWS IN BOTH CENTER SLOT AND INSIDE SLOT. REMOVE ONE END CAP TO INSERT SCREWS).*
 - 5.2 LOCATE THE STEP IN AND OUT AS DESIRED AND INSTALL THE 5/16" SERRATED FLANGE NUTS (ITEM #4) ON THE SQUARE HEAD SCREWS. TIGHTEN ALL THE NUTS.

SERVICE PARTS LIST

ITEM	PART NO.	QTY	DESCRIPTION
1	575072	2	MEGA STEP BOARDS .72" (JEEP GRAND CHEROKEE)
1	585072	2	OMEGA STEP BOARDS. 72" (JEEP GRAND CHEROKEE)
1	575078	2	MEGA STEP BOARDS 78"- (DURANGO)
1	585078	2	O-MEGA STEP BOARDS 78" SATIN - (DURANGO)
1	586078	2	O-MEGA STEP BOARDS 78" BLACK - (DURANGO)
2	551932	6	BRACKET-MTG, MEGA STEP, 571134
3	551935	6	T-BOLT WELDMENT, ZP
4	102680	14	NUT-SERR FLG, 5/15-18, SST
5	104260	12	BLT-CRG, #10-24 X .75, SST
6	104261	12	NUT-SERR FLG, #10-24, SST
7	103737	6	NUT-SERR FLG, 7/16-14, ZP
8	106880	6	SCR-SQ HD, 5/16-18 X 1.00, MAGNIGRD



(A LIVERNE Company)

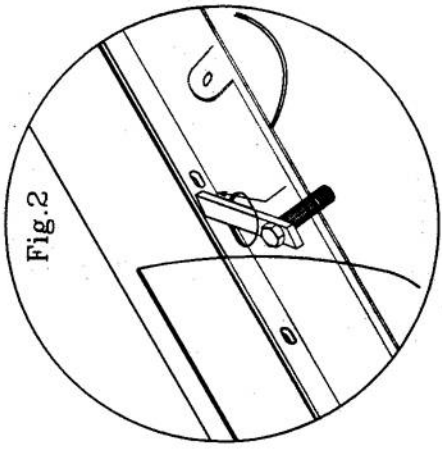
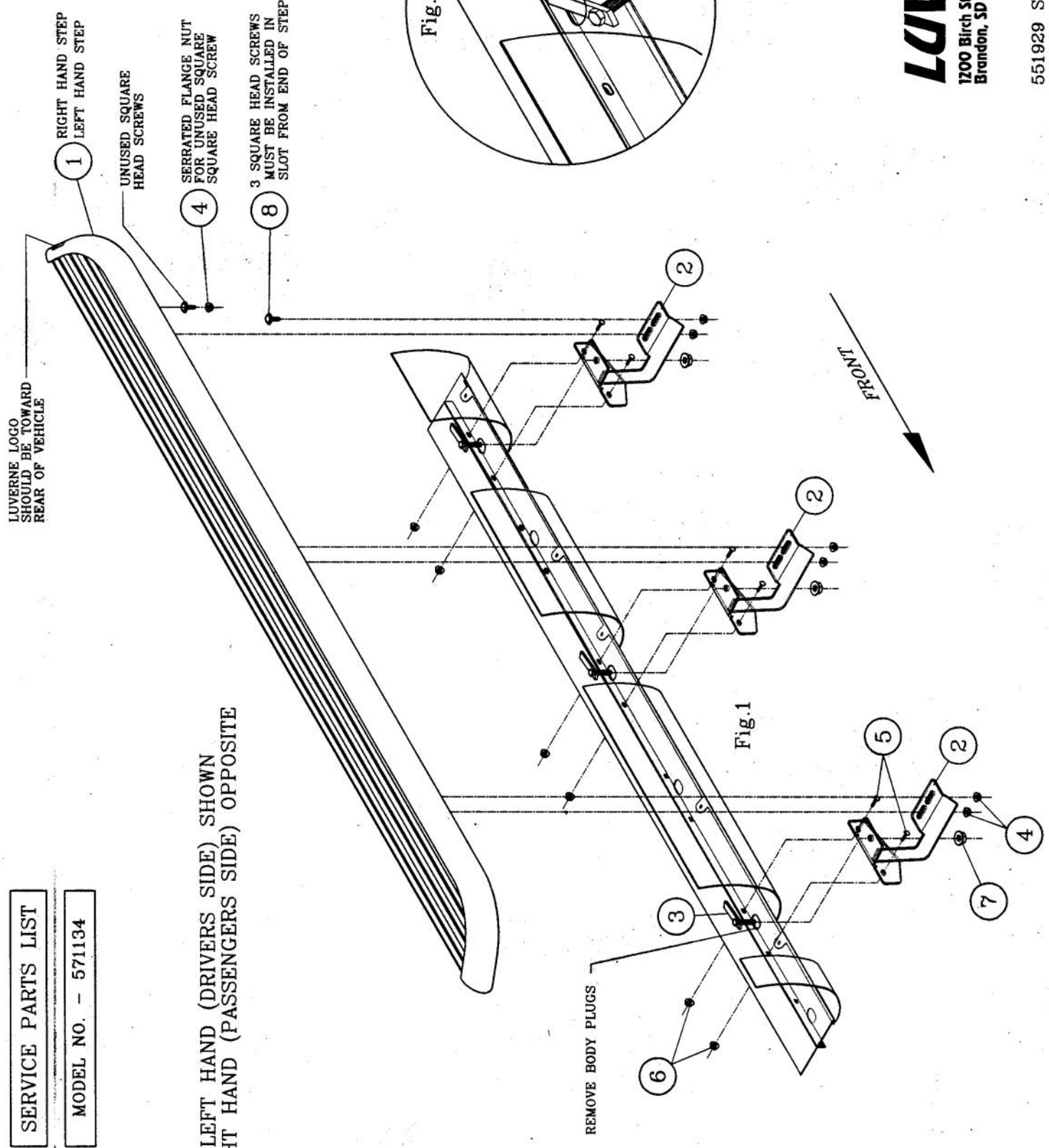
1200 E. Birch St.

Brandon, SD 57005

SERVICE PARTS LIST

MODEL NO. - 571134

LEFT HAND (DRIVERS SIDE) SHOWN
RIGHT HAND (PASSENGERS SIDE) OPPOSITE



LUVERNE
TRUCK
EQUIPMENT
INC.
1200 Birch Street
Brandon, SD 57005