

INSTALLATION INSTRUCTIONS AND PARTS LIST

MODEL 460764 SST NERF BARS 450764 BLACK NERF BARS:
2007 SATURN OUTLOOK



1. Read instructions completely and check to make sure that all required parts (listed on service parts list) are on hand before starting the installation.
2. The mounting brackets are attached to the nerf bar for your convenience. The *LUVERNE* decal is located on the front driver's side.
3. Attach the mounting brackets to the vehicle using existing mounting holes on the interior wall of the rocker panel.
 - 3.1. Locate the appropriate holes for mounting the brackets. The first set of holes are about 17" back from the front wheel well, and the second set of holes are about 62" back from the front wheel well.
 - 3.2. Some of these holes will be blocked by some sound deadening foam. This must be cleaned out, or pushed to the side for proper positioning of the weldment.
 - 3.3. Attach the multi-thread u-nut (item #10) to the weld plate (item #9).
 - 3.4. Insert the weld plate (Item #9) into the 1" diameter hole, and rotate so that the nut side is lined up with the inboard hole. See fig. 1, & 2.
 - 3.5. Attach the brackets (Item #2) with a 3/8-16 flange nut, and washer (Item #8 & 11), and the 5/16-18X1.25, flat washer, and lock washer, (Item #5, #6, & #7). See fig 3.
Tighten the fasteners to 55 lb ft.
 - 3.6. Repeat 3.1 through 3.5 for all four (4) brackets.

SERVICE PARTS LIST

ITEM	PART NO.	QTY	DESCRIPTION
1	551438	2	NERF BAR WLDMT-LH/RH,SST,460764
	551443	2	NERF BAR WLDMT-LH/RH,BLK,450764
2	551436	4	BRKT-MTG, LH/RH, 07 SATURN OUTLOOK
3	105105	8	SCR-BTN HD, 3/8-16X3/4, SST
4	103950	4	PAD,NERF BAR,BLK,20.0"
5	100025	4	SCREW-HEX, 5/16-18X1.25,ZP
6	100030	4	WHSR-LOCK, 5/16" ZP
7	100034	4	WHSR-FLAT, 5/16" ZP
8	100181	4	NUT-HEX, 3/8-16 SERRATED FLANGE,ZP
9	551442	4	WLDMT-T BOLT, ZP
10	104264	4	NUT-MULTI THRD, BLK
11	100062	4	WHSR-FLAT, 3/8" ZP

SERVICE PARTS LIST

MODEL NO. - 450764
460764

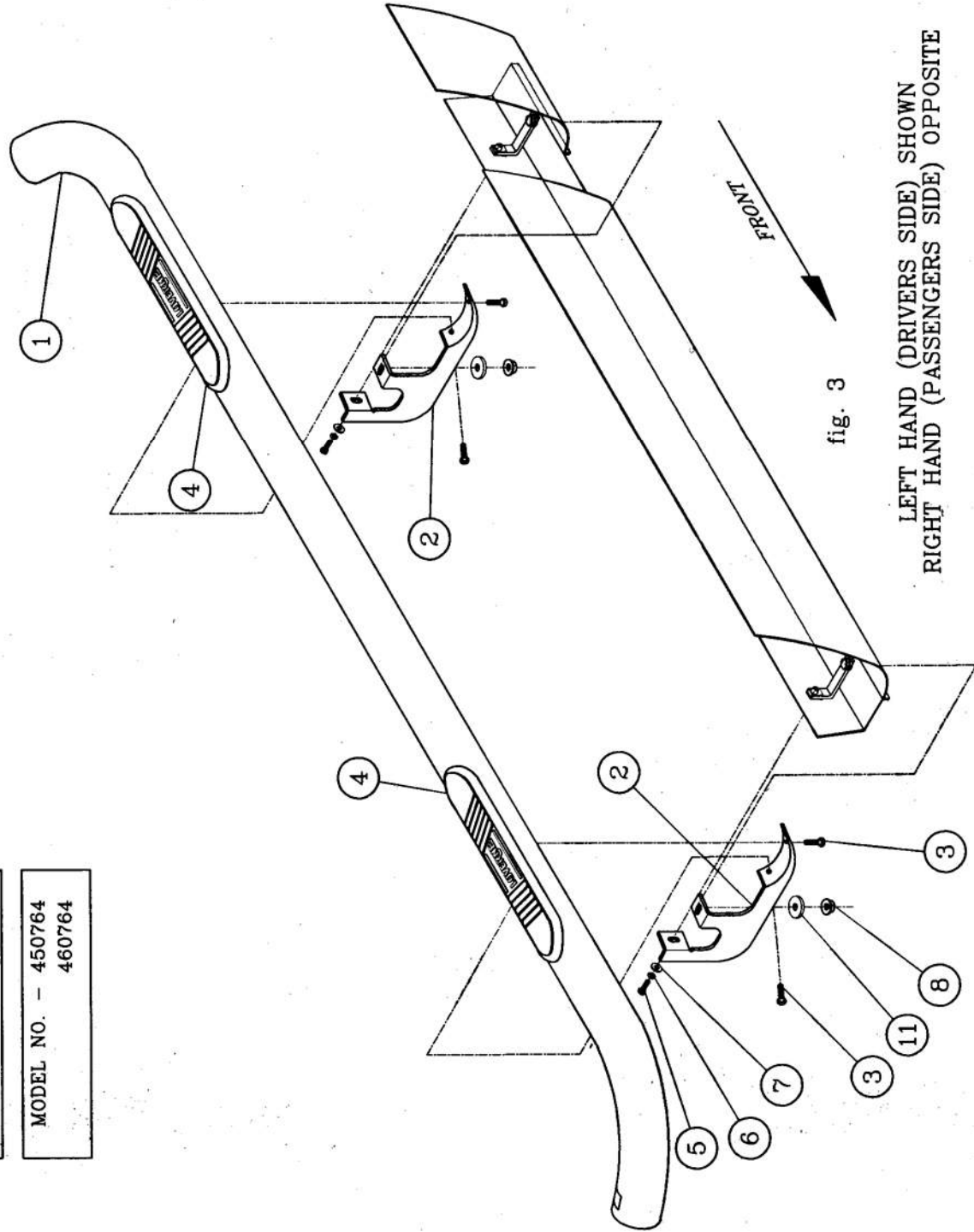


fig. 3

LEFT HAND (DRIVERS SIDE) SHOWN
RIGHT HAND (PASSENGERS SIDE) OPPOSITE

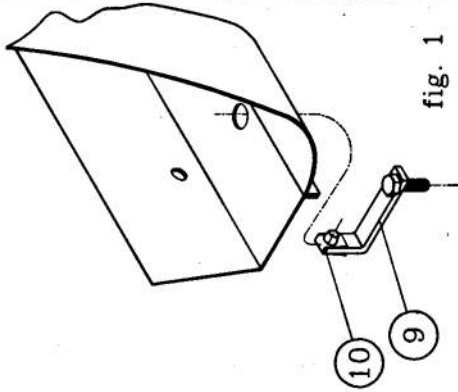


fig. 1

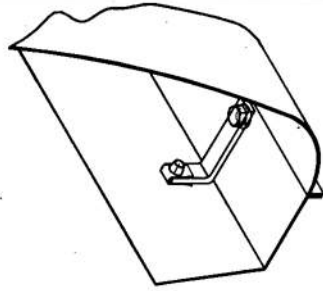


fig. 2

LOVERNE
TRUCK
EQUIPMENT
INC.
1200 Birch Street
Brandon, SD 57005

REV A 04FEB08
551437 SHEET 2 23APR07