

INSTALLATION INSTRUCTIONS AND PARTS LIST
APPL: 230421 STAINLESS STEEL GRILLE INSERT FOR
2004 AND NEWER FORD F150 PICKUPS WITH HONEYCOMB STYLE GRILLE



NO DRILL INSTALLATION

1. READ INSTRUCTIONS COMPLETELY AND CHECK TO MAKE SURE THAT ALL REQUIRED PARTS (LISTED ON SERVICE PARTS LIST) ARE ON HAND BEFORE STARTING THE INSTALLATION.
2. OPEN THE VEHICLE HOOD TO ALLOW ACCESS TO THE REAR OF THE GRILLE.
3. INSTALL THE SST GRILLE INSERT (ITEM #1) AS FOLLOWS:
 - 3.1. POSITION THE GRILLE INSERT INTO THE OPENING OF THE VEHICLE GRILLE. (NOTE: SLIGHTY FORMING THE INSERT TO MATCH THE CONTOUR OF THE VEHICLE GRILLE WILL AID WITH INSTALLING THE CARRIAGE BOLTS.)
 - 3.2. WHILE HOLDING THE SST GRILLE INSERT IN PLACE, INSTALL A 10-24 X 2.00" CARRIAGE BOLT (ITEM # 2) THROUGH ONE OF THE SQUARE HOLES IN THE GRILLE INSERT AND ALSO THROUGH THE CORRESPONDING OPENING IN VEHICLE GRILLE.
 - 3.3. FROM THE REAR OF THE VEHICLE GRILLE INSTALL A RETAINER PLATE (ITEM #3) AND A 10-24 KEPS LOCK NUT (ITEM #4) AS SHOWN AND FINGER TIGHTEN ONLY.
 - 3.4. REPEAT STEPS 3.2 AND 3.3 FOR EACH OF THE REMAINING SQUARE HOLE LOCATIONS.
 - 3.5. CENTER THE SST GRILLE INSERT AND TIGHTEN ALL FASTENERS. USE CAUTION NOT TO OVERTIGHTEN AS YOU COULD CRACK THE VEHICLE GRILLE.

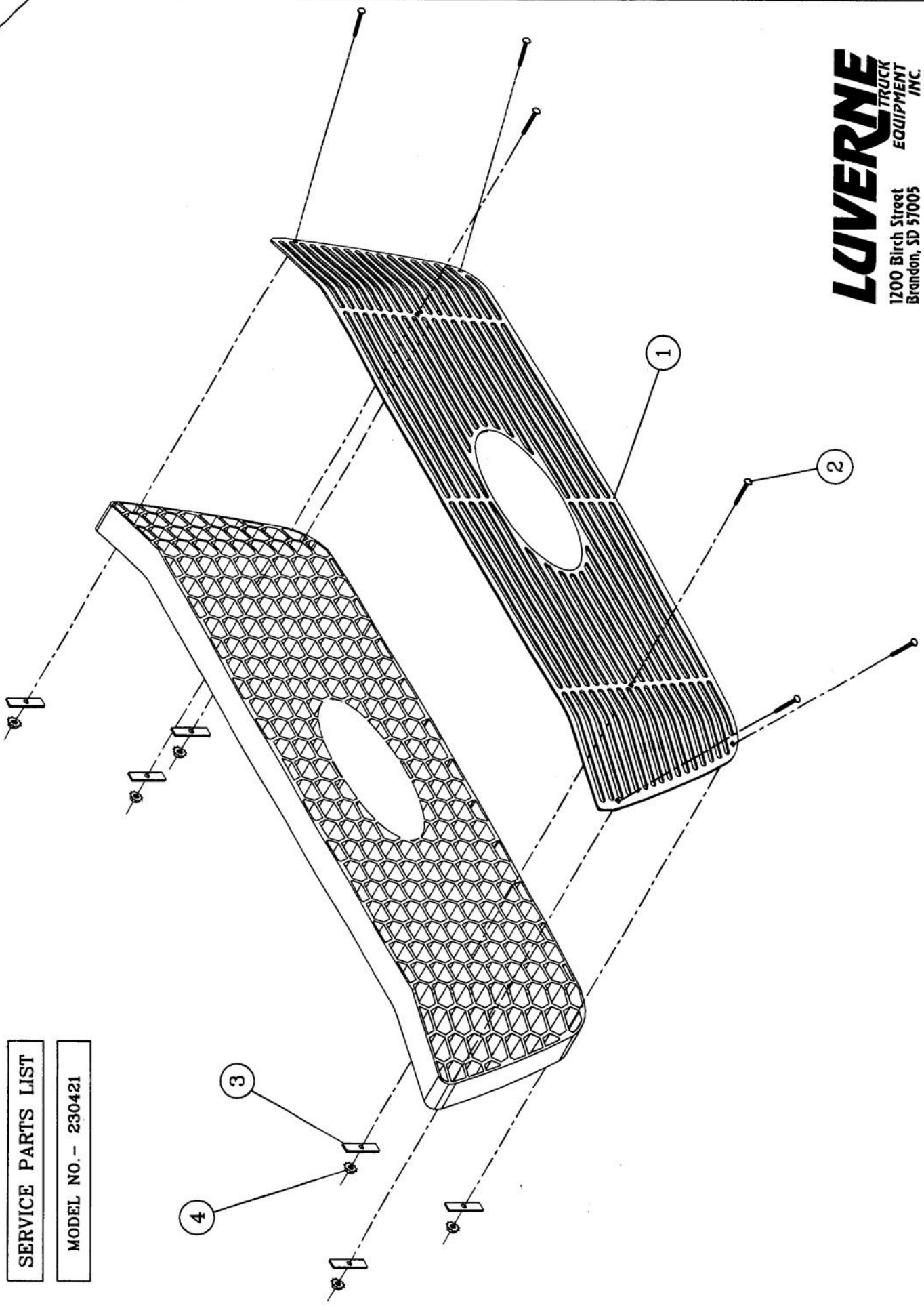
SERVICE PARTS LIST

ITEM	PART NO.	QTY	DESCRIPTION
1	235006	1	SST GRILLE INSERT, 230421
2	105398	6	BOLT-CARRIAGE, 10-24 X 2.0, SST
3	235014	6	PLATE-RETAINER, SST, 0.125 X 0.5 X 2.0
4	105370	6	NUT- KEPS, 10-24, SST

LIVERNE
ISO9001/ISO9000 CERTIFIED TRUCK
EQUIPMENT
1200 Birch Street
Brandon, SD 57005
INC.

SERVICE PARTS LIST

MODEL NO. - 230421



LIVERNE TRUCK
EQUIPMENT
INC.
1200 Birch Street
Brandon, SD 57005

235008 SHEET 2 01JULY03