

INSTALLATION INSTRUCTIONS AND PARTS LIST
APPL: 230422 STAINLESS STEEL GRILLE INSERT (6 PIECE) FOR
2004 AND NEWER FORD F150 WITH BAR STYLE GRILLE



NO DRILL INSTALLATION

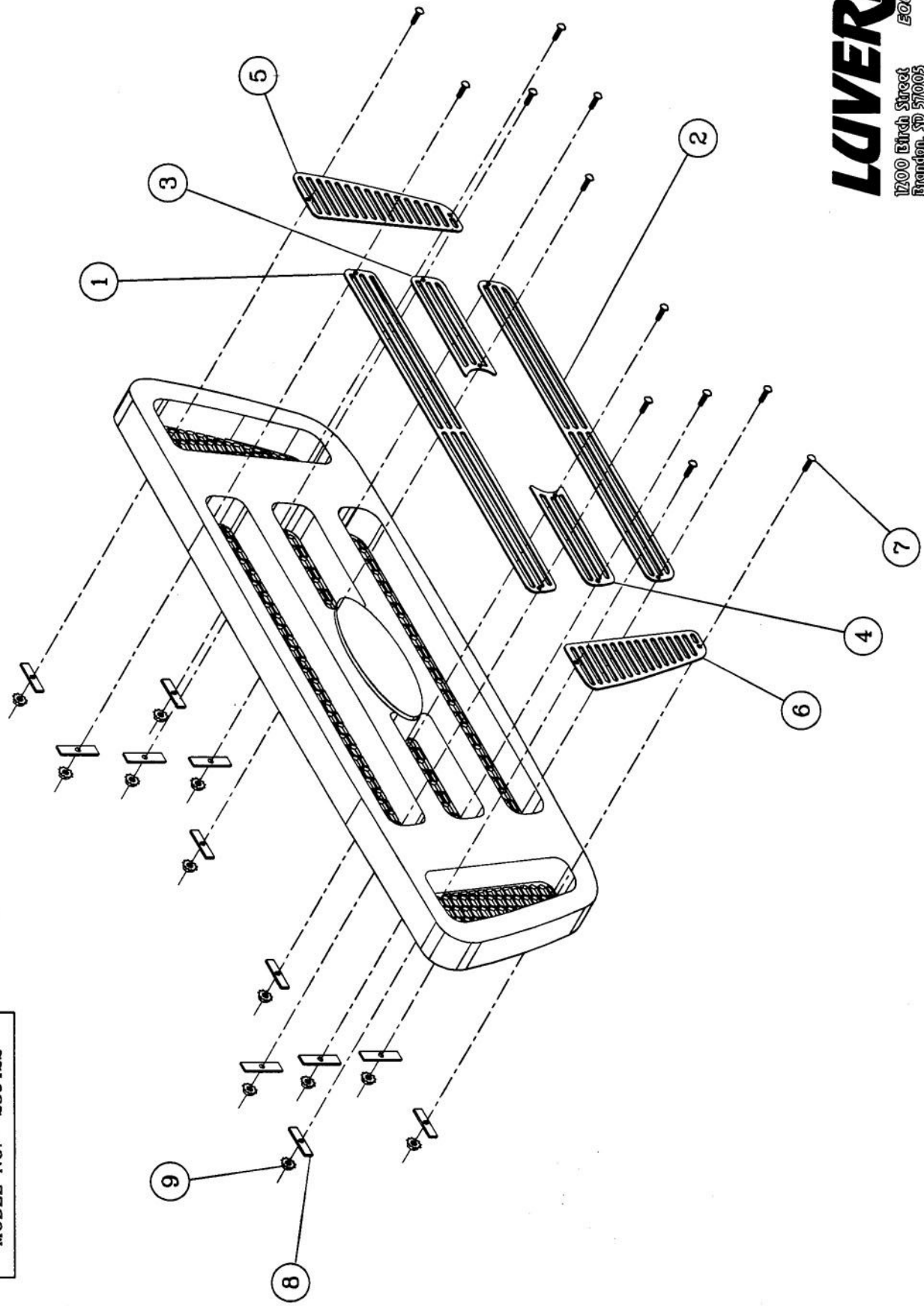
1. READ INSTRUCTIONS COMPLETELY AND CHECK TO MAKE SURE THAT ALL REQUIRED PARTS (LISTED ON SERVICE PARTS LIST) ARE ON HAND BEFORE STARTING THE INSTALLATION.
2. OPEN THE HOOD TO ALLOW ACCESS TO THE REAR OF THE GRILLE.
3. INSTALL EACH OF THE SST GRILLE INSERTS (ITEMS #1, #2, #3, #4, #5, #6) AS FOLLOWS:
 - 3.1. POSITION THE GRILLE INSERT INTO THE CORRESPONDING OPENING OF THE VEHICLE GRILLE. (NOTE: SLIGHTY FORMING THE INSERT TO MATCH THE CONTOUR OF THE VEHICLE GRILLE WILL AID WITH INSTALLING THE CARRIAGE BOLTS.)
 - 3.2. WHILE HOLDING THE SST GRILLE INSERT IN PLACE, INSTALL A 10-24 X 0.75" CARRIAGE BOLT (ITEM # 7) THROUGH ONE OF THE SQUARE HOLES IN THE GRILLE INSERT AND ALSO THROUGH THE CORRESPONDING OPENING IN VEHICLE GRILLE.
 - 3.3. FROM THE REAR OF THE VEHICLE GRILLE INSTALL A RETAINER PLATE (ITEM #8) AND A 10-24 KEPS LOCK NUT (ITEM #9) AS SHOWN AND FINGER TIGHTEN ONLY.
 - 3.4. CENTER THE SST GRILLE INSERT AND TIGHTEN ALL FASTENERS. USE CAUTION NOT TO OVERTIGHTEN AS YOU COULD CRACK THE VEHICLE GRILLE.

SERVICE PARTS LIST

ITEM	PART NO.	QTY	DESCRIPTION
1	105891	1	SST GRILLE INSERT, UPPER SECTION
2	105892	1	SST GRILLE INSERT, LOWER SECTION
3	105893	1	SST GRILLE INSERT, CENTER LEFT SECTION
4	105894	1	SST GRILLE INSERT, CENTER RIGHT SECTION
5	105895	1	SST GRILLE INSERT, OUTER LEFT SECTION
6	105896	1	SST GRILLE INSERT, OUTER RIGHT SECTION
7	104258	12	BOLT-CARRIAGE, 10-24 X 0.75, SST
8	235014	12	PLATE-RETAINER, SST, 0.125 X 0.5 X 2.0
9	105370	12	NUT- KEPS, 10-24, SST

SERVICE PARTS LIST

MODEL NO. - 230422



LOVERNE TRUCK EQUIPMENT INC.
1200 Birch Street
Brandon, SD 57005
235037 SHEET 2 25JULY03