

## INSTALLATION INSTRUCTIONS AND PARTS LIST

### APPLICATION:

230712 HORIZONTAL SST GRILLE INSERT:  
2007 AND NEWER CHEVROLET TAHOE/SUBURBAN



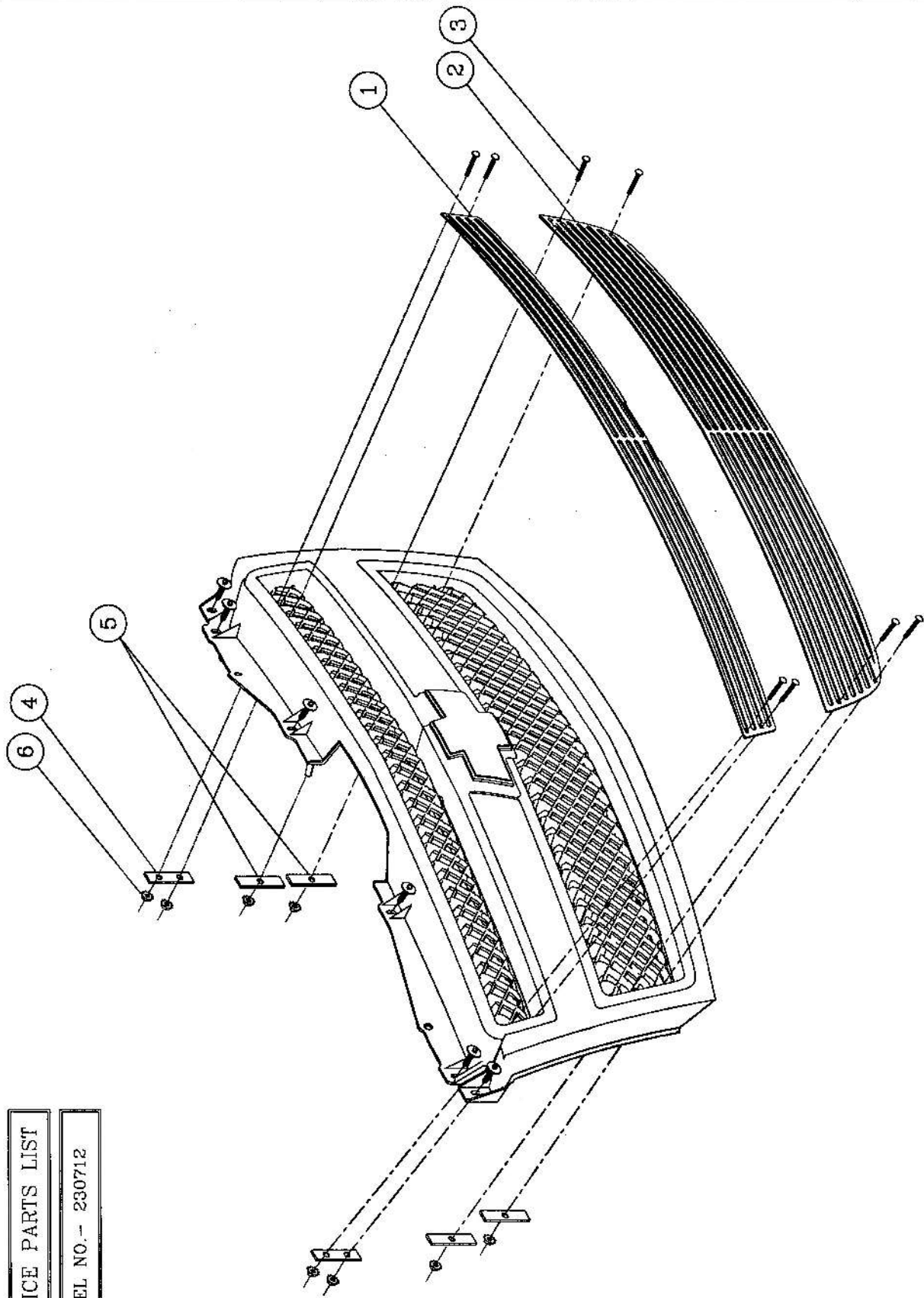
### NO DRILL INSTALLATION

1. Read instructions completely and check to make sure that all the required parts (listed on service parts list) are on hand before starting the installation.
2. Remove the six (6) screws holding the top of the grille to the vehicle. This will allow access to the rear of the vehicle grille through the top. Gently pulling out the top of the grille so that you can get your arm through the top center.
3. Install each of the Sst Grille Inserts (items #1, and #2) as follows:
  - 3.1 Place the carriage bolts. (item #3) into each hole.
  - 3.2 Position the grille insert into the opening of the vehicle grille. **(NOTE: Slightly forming the insert to the contour of the vehicle grille will aid with installing the carriage bolts.)**
  - 3.3 From the rear of the vehicle grille install retainer plates (item #4, and #5) and the 10-24 KEPS lock nuts (item #6) as shown in **fig. 1** and finger tighten only.
  - 3.4 Repeat steps 3.1 through 3.3 for both inserts.
  - 3.5 Center the Sst Grille Inserts and tighten all fasteners. Use caution not to over tighten as you could crack the vehicle grille.
4. Reinstall the six (6) screws holding the grille to the vehicle, and tighten down.

### SERVICE PARTS LIST

ITEM	PART NO.	QTY	DESCRIPTION
1	107122	1	SST GRILLE INSERT, UPPER, 230712
2	107121	1	SST GRILLE INSERT, LOWER, 230712
3	105398	8	BOLT-CARRIAGE, 10-24 X 2", SST
4	235014	4	PLATE-RETAINER, SST, 0.125X0.5X2.0 (1) HOLE
5	235090	2	PLATE-RETAINER, SST, 0.125X0.5X2.25 (2) HOLES
6	105370	8	NUT-KEPS, 10-24, SST

SERVICE PARTS LIST  
MODEL NO. - 230712



**LIVERNE**  
15000145000 CERTIFIED TRUCK  
EQUIPMENT INC.  
1700 Birch Street  
Brandon, SD 57005