

## INSTALLATION INSTRUCTIONS AND PARTS LIST

APPLICATION:  
230742 HORIZONTAL SST GRILLE INSERT:  
2007 AND NEWER GMC YUKON/YUKON XL



### NO DRILL INSTALLATION

1. Read instructions completely and check to make sure that all the required parts (listed on service parts list) are on hand before starting the installation.
2. The vehicle grille will **not** need to be removed for this installation. Insert the ¼-20 x 2.5 button head screw (item #2) into the grille insert (item #1). Thread the retainer plate (item #3) on the screw approx. 1/4", see fig. 1
3. With the retainer plate in the horizontal position (fig. 1), place the grille insert assembly into position and After it goes through the grille, allow the retainer to rotate 90 deg. As shown in fig. 2.
4. Using a 5/32" hex wrench, tighten grille insert to the face of the factory grille.

### SERVICE PARTS LIST

| ITEM | PART NO. | QTY | DESCRIPTION                               |
|------|----------|-----|---|
| 1    | 107098   | 1   | SST GRILLE INSERT, 230742                 |
| 2    | 107351   | 4   | BLT-BTN HD, ¼-20 X 2.50, SST              |
| 3    | 235094   | 4   | PLT-RETAINER, 0.125 X 0.500 X FORMED, SST |

SERVICE PARTS LIST

MODEL NO. - 230742

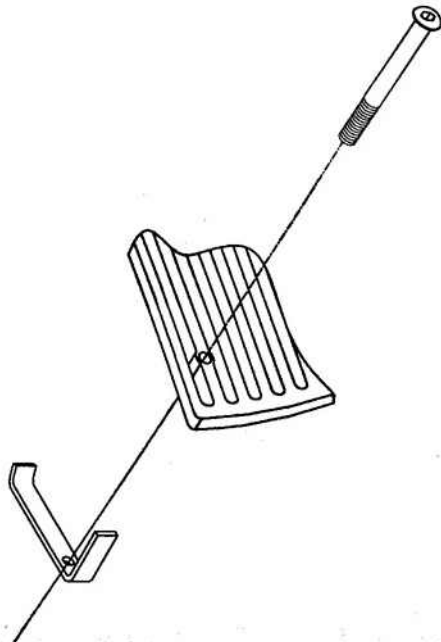


Fig. 1

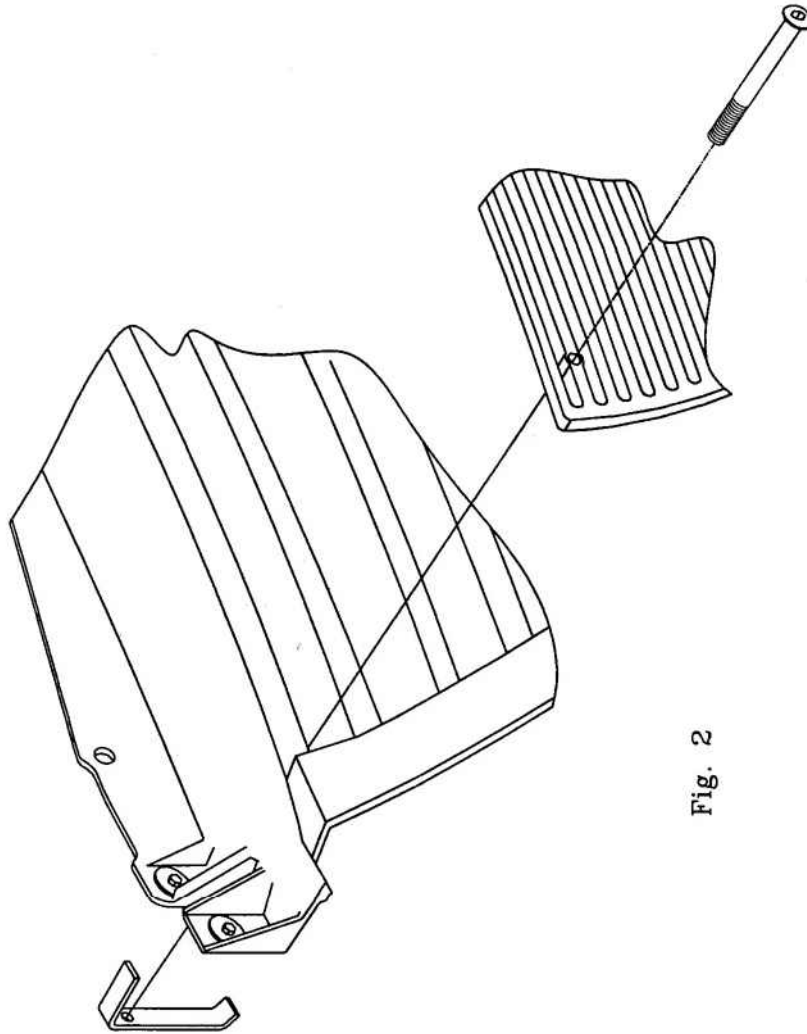


Fig. 2

**LAVERNE**  
ISO9001/ISO9000 CERTIFIED TRUCK  
EQUIPMENT INC.  
1200 Birch Street  
Brandon, SD 57005

SERVICE PARTS LIST

MODEL NO. - 230742

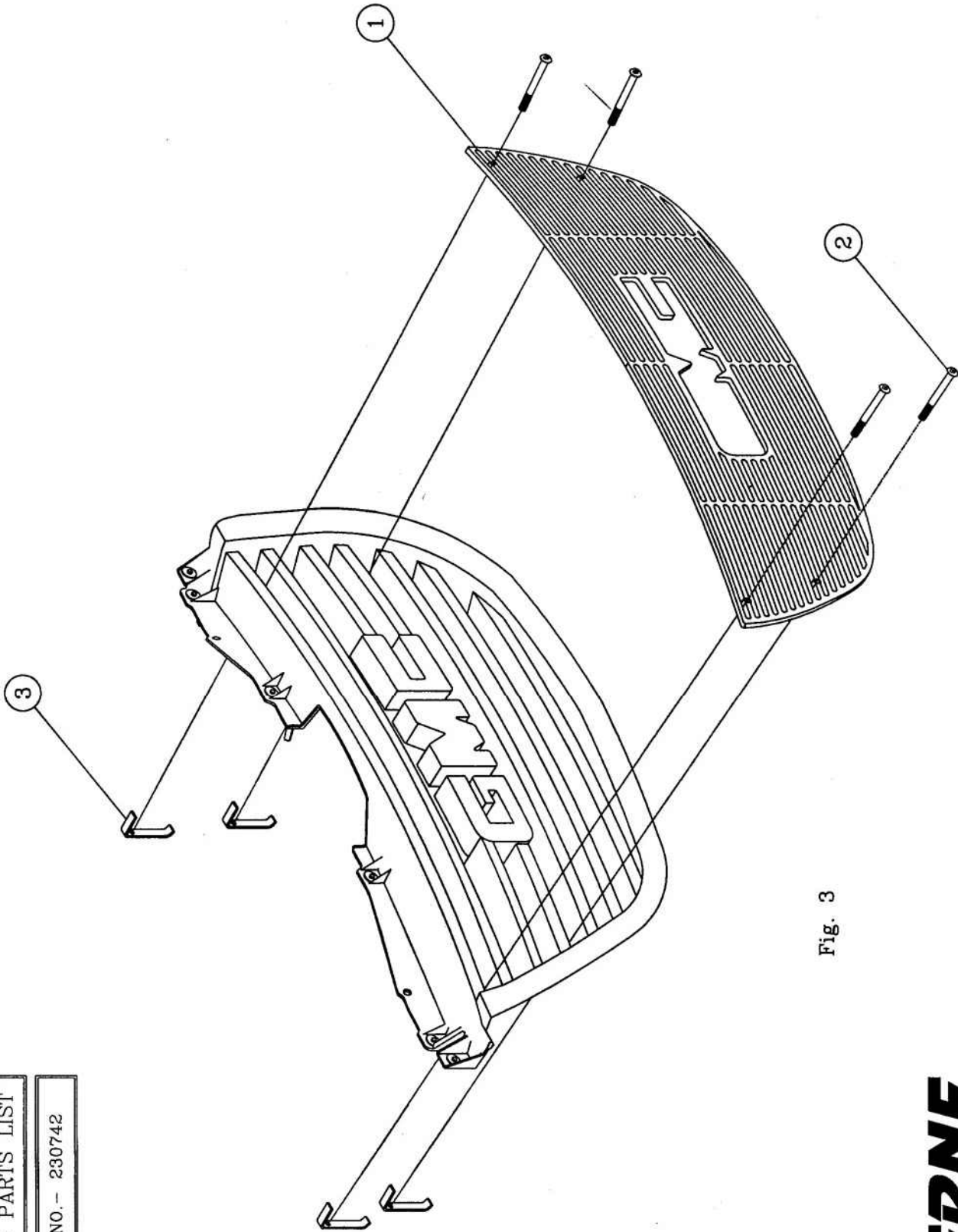


Fig. 3

**LOVERNE**  
ISO9001/ISO9000 CERTIFIED TRUCK  
EQUIPMENT  
INC.  
1200 Birch Street  
Brandon, SD 57005