

INSTALLATION INSTRUCTIONS AND PARTS LIST
APPL: 230750 STAINLESS STEEL GRILLE INSERT FOR
2007 AND NEWER TOYOTA TUNDRA WITH BAR STYLE GRILLE



NO DRILL INSTALLATION

1. READ INSTRUCTIONS COMPLETELY AND CHECK TO MAKE SURE THAT ALL REQUIRED PARTS (LISTED ON SERVICE PARTS LIST) ARE ON HAND BEFORE STARTING THE INSTALLATION.
2. OPEN THE HOOD TO ALLOW ACCESS TO THE REAR OF THE GRILLE.
3. INSTALL THE SST GRILLE INSERT (ITEMS #1) AS FOLLOWS:
 - 3.1. POSITION THE GRILLE INSERT INTO THE CORRESPONDING OPENING OF THE VEHICLE GRILLE. (NOTE: SLIGHTLY FORMING THE INSERT TO MATCH THE CONTOUR OF THE VEHICLE GRILLE WILL AID WITH INSTALLING THE CARRIAGE BOLTS.)
 - 3.2. WHILE HOLDING THE SST GRILLE INSERT IN PLACE, INSTALL A 10-24 X 3.00 CARRIAGE BOLT (ITEM # 2) THROUGH ONE OF THE OUTER SQUARE HOLES IN THE GRILLE INSERT.
 - 3.3. AFTER INSERTING THE CARRIAGE BOLT THROUGH THE GRILLE INSERT IT WILL GET A RETAINER PLATE (ITEM #4) BETWEEN THE GRILLE INSERT AND THE GRILLE THEN SLIDE IT THROUGH THE CORRESPONDING OPENING IN VEHICLE GRILLE.
 - 3.4. FROM THE REAR OF THE VEHICLE GRILLE INSTALL A RETAINER PLATE (ITEM #4) AND A 10-24 KEPS LOCK NUT (ITEM #6) AS SHOWN AND FINGER TIGHTEN ONLY.
 - 3.5. THE CENTER (2) HOLES USE (ITEM# 3) AND(ITEM#5 & 6) **NO CENTER RETAINER PLATE.** REPEAT STEP 3.1 THOUGH 3.4 FOR THE REMAINING HOLES.
 - 3.6. CENTER THE SST GRILLE INSERT AND TIGHTEN ALL FASTENERS. USE CAUTION NOT TO OVERTIGHTEN AS YOU COULD CRACK THE VEHICLE GRILLE.

SERVICE PARTS LIST

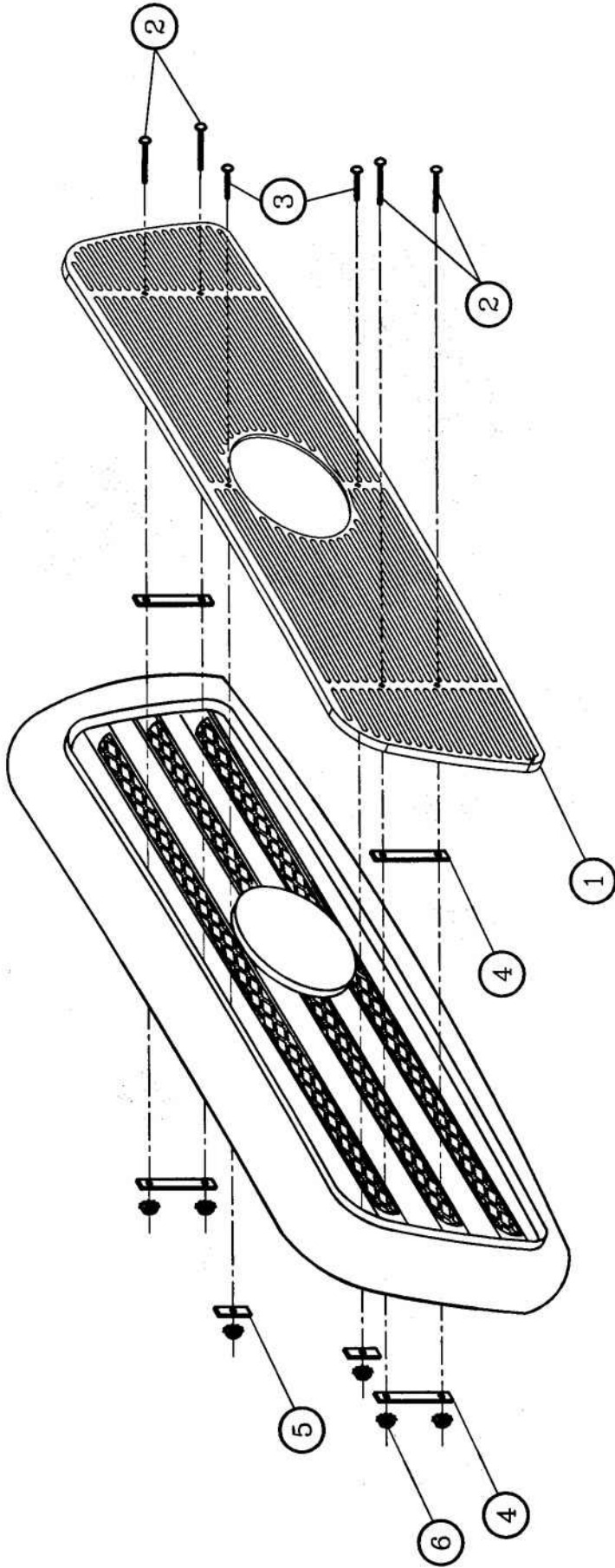
ITEM	PART NO.	QTY	DESCRIPTION
1	107900	1	SST GRILLE INSERT,
2	105399	4	BOLT-CARRIAGE, 10-24 X 3.00, SST
3	105398	2	BOLT-CARRIAGE, 10-24 X 2.00, SST
4	235110	4	PLATE-RETAINER, SST, 0.125 X .50 X 5.00
5	235014	2	PLATE-RETAINER, SST, 0.125 X .50 X 2.00
6	105370	6	NUT- KEPS, 10-24, SST

LIVERNE
ISO9001 QS9000 CERTIFIED TRUCK
EQUIPMENT
1200 Birch Street
Brandon, SD 57005
INC.

230751 SHEET 1 21MAR07

SERVICE PARTS LIST

MODEL NO.- 230750



LIVERNE TRUCK EQUIPMENT INC.
1700 Birch Street
Brandon, SD 57005